

## Cooling System and Related Components

Page No.

1

Fans, Water Pumps  
and Repair Kits

2

Radiators, Caps & Thermostats

3

Radiator Hoses & Belts

4

Heaters & Antifreeze Tester

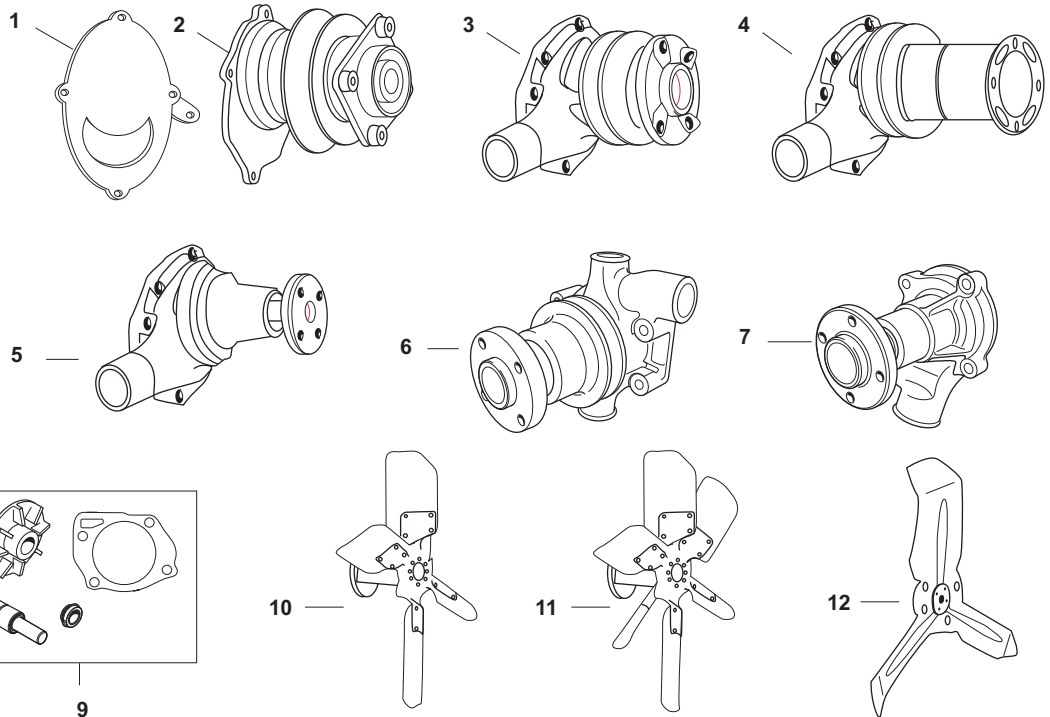
Please see Index for alternative O.E. part numbers.

These parts are Sparex parts and are not manufactured by the Original Equipment Manufacturer.

Original Equipment Manufacturers names, part numbers and descriptions are quoted for reference purposes only.

## Spare Parts for FORD Tractors Built 1939 to 1964

### Fans, Water Pumps and Repair Kits



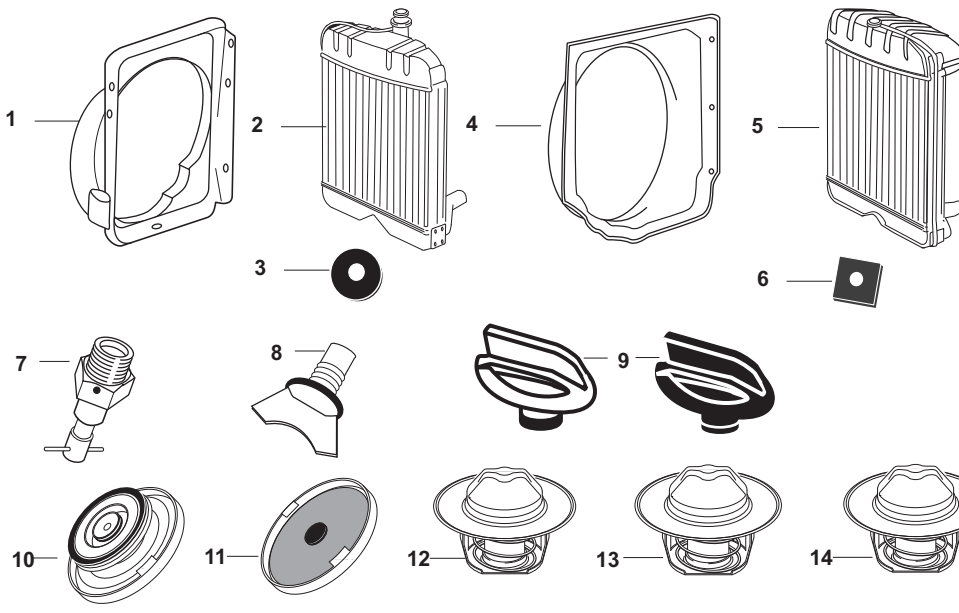
SPAREX No.	DESCRIPTION	EQUIVALENT	TRACTOR MODEL
1	S.66888 Back Plate w/ Offset Ear - Water Pump	8N8508	(8N 1/50-12/52 w/ Side Mount Distributor)
2	S.60632 Water Pump Assembly w/ Gasket	CDPN8501A	9N, 2N, 8N
3	S.60663 Water Pump Assembly w/ Gasket	CDPN8501B	NAA, Jubilee
4	S.60627 Water Pump Assembly w/ Gasket (Gas & Diesel)	DCPN8501A	600, 700, 800, 900, 601, 701, 801, 901, 2000, 4000
5	S.60648 Water Pump Assembly w/ Gasket (Used w/ Bolt-on Pulley)	DCPN8501A	600, 700, 800, 900, 601, 701, 801, 901, 2000, 4000, (Also 192 cu. in. Industrial Engines)
6	S.65014 Water Pump Assembly w/ Gasket	957E8501B	Dexta, Super Dexta
7	S.65015 Water Pump Assembly w/ Gasket	E1ADKN8501B	Fordson Major, Fordson Power Major, Fordson Super Major
8	S.65020 Water Pump Repair Kit	E2169T9	Dexta, Super Dexta
9	S.65021 Water Pump Repair Kit	E1ADKN8591	Fordson Major, Power Major, Super Major
10	S.60571 Four Blade Fan	8N8600A	9N, 2N, 8N, NAA, Jubilee
11	S.60302 Six Blade Fan - Puller (Optional for hot climates)	9N8600D	9N, 2N, 8N, NAA, Jubilee
12	S.61703 Three Blade Fan (Gas Tractors) Used w/ S.60627 Water Pump	NCA8600S	600, 700, 800, 900, 601, 701, 801, 901, 2000, 4000

1 - A

FANS, WATER PUMPS AND REPAIR KITS

	<u>Sparex No.</u>	<u>Price</u>
1.	S.66888	\$6.48
2.	S.60632	\$44.83
3.	S.62663	\$50.00
4.	S.60627	\$58.33
5.	S.60648	\$45.42
6.	S.65014	\$111.17
7.	S.65015	\$61.50
8.	S.65020	\$34.17
9.	S.65021	\$40.00
10.	S.60571	\$36.60
11.	S.60302	\$53.50
12.	S.61703	\$31.50

WE ARE NOT RESPONSIBLE FOR MIS-PRINTS OR PRICE CHANGES



Spare Parts for FORD  
Tractors Built 1939 to 1964

## Radiators, Caps and Thermostats

SPAREX No.	DESCRIPTION	EQUIVALENT	TRACTOR MODEL
1	<b>S.60574</b> Shroud	2N8146	9N, 2N, 8N
2	<b>S.60639</b> Radiator	8N8005	9N, 2N, 8N
3	<b>S.66551</b> Radiator Mounting Pad	C5NN8125A	9N, 2N, 8N
4	<b>S.60575</b> Shroud	NCA8146A	NAA, Jubilee, 600, 700, 800, 900, 601, 701, 801, 901, 2000, 4000
5	<b>S.60638</b> Radiator	C5NN8005AB	NAA, Jubilee, 600, 700, 800, 900, 601, 701, 801, 901, 2000, 4000
6	<b>S.66552</b> Radiator Mounting Pad	B9NN8125A	NAA, Jubilee, 600, 700, 800, 900, 601, 701, 801, 901, 2000, 4000
7	<b>S.08440</b> Drain Tap	C9NN8115A	9N, 2N, 8N, NAA, Jubilee, 600, 700, 800, 900, 601, 701, 801, 901, 2000, 4000
8	<b>S.60200</b> Drain Tap - Plastic (12 x 1.25 mm)		Fits Chinese Built 8N, 9N & 2N Radiators
9	<b>S.61611</b> Winged Radiator Cap - Black (Pressure Cap)	2N8200A	9N, 2N, 8N
9	<b>S.61615</b> Winged Radiator Cap - Chrome (Pressure Cap)	2N8200A	9N, 2N, 8N
10	<b>S.08452</b> Radiator Cap (Pressure)	E62A8100A	Dexta, Super Dexta, Fordson Major, Power Major, Super Major, Super 4 & 6
11	<b>S.65002</b> Radiator Cap (Plain)	528E8100A	Dexta, Super Dexta (U.K. Only)
12	<b>S.65030</b> Thermostat (168 Degree)	D8NN8575AA	NAA, Jubilee, 600, 700, 800, 900, 601, 701, 801, 901, 2000, 4000, Dexta, Super Dexta
12	<b>S.65031</b> Thermostat (172 Degree)	D8NN8575CA	NAA, Jubilee, 600, 700, 800, 900, 601, 701, 801, 901, 2000, 4000, (Fordson Major, Power Major, Super Major 4/1957-1964)
13	<b>S.65032</b> Thermostat (188 Degree)	D8NN8575BA	NAA, Jubilee, 600, 700, 800, 900, 601, 701, 801, 901, 2000, 4000,
14	<b>S.65029</b> Thermostat (194 Degree)	691F8575AA	(Fordson Major 1952-4/1957)
15	<b>S.61115</b> Thermostat Holder (With or Less Power Steering)	310031	NAA, Jubilee, 600, 700, 800, 900, 601, 701, 801, 901, 2000, 4000
16	<b>S.61110</b> Thermostat Holder Gasket	EAF8255A	NAA, Jubilee, 600, 700, 800, 900, 601, 701, 801, 901, 2000, 4000

Please see Index for alternative O.E. part numbers.

These parts are Sparex parts and are not manufactured by the Original Equipment Manufacturer. Original Equipment Manufacturer names, part numbers and descriptions are quoted for reference purposes only.

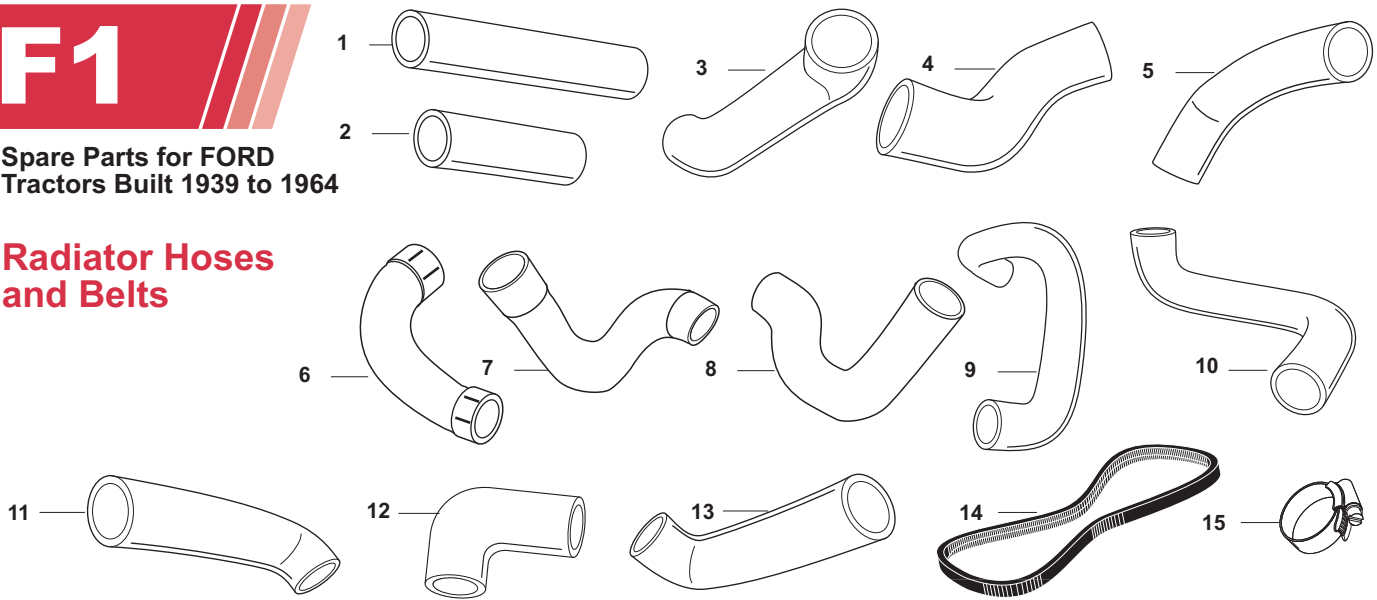
2 - A

RADIATORS, CAPS AND THERMOSTATS

	<u>Sparex No.</u>	<u>Price</u>
1.	S.60574	\$64.50
2.	S.60639	\$203.28
3.	S.66551	\$1.65
4.	S.60575	\$70.83
5.	S.60638	\$276.67
6.	S.66552	\$1.65
7.	S.08440	\$1.15
8.	S.60200	\$4.17
9.	S.61611	\$7.32
9.	S.61615	\$12.33
10.	S.08452	\$9.97
11.	S.65002	\$6.63
12.	S.65030	\$7.65
12.	S.65031	\$6.75
13.	S.65032	\$6.47
14.	S.65029	\$6.15
15.	S.61115	\$39.17
16.	S.61110	\$0.58

WE ARE NOT RESPONSIBLE FOR MIS-PRINTS OR PRICE CHANGES

## Radiator Hoses and Belts



SPAREX No.	DESCRIPTION	EQUIVALENT	TRACTOR MODEL
1	S.60590 Top Hose	2N8260	9N, 2N, 8N
2	S.60591 Top Hose	NAA8260B	NAA, Jubilee, 600, 700, 800, 900, 601, 701, 801, 901, 2000, 4000
3	S.65007 Top Hose	957E8260A	Dexta
4	S.65788 Top Hose	957E8260B	Super Dexta
5	S.65008 Top Hose	E1ADKN8260	Fordson Major, Power Major, Super Major
6	S.60592 Bottom Hose (Less Power Steering)	312588	9N, 2N, (8N w/ Front Mount Distributor), NAA, Jubilee, 600, 700, 800, 900, 601, 701, 801, 901, 2000, 4000
7	S.60593 Bottom Hose	8N8286	(8N w/ Side Mount Distributor)
8	S.60594 Bottom Hose (with Power Steering)	313151	NAA, Jubilee, 600, 700, 800, 900, 601, 701, 801, 901, 2000, 4000
9	S.65010 Bottom Hose	957E8286	Dexta, Super Dexta
10	S.65011 Bottom Hose	E1ADDN8286	Fordson Major, Power Major, Super Major
11	S.65027 Filler Hose (144 cu. in.)	957E8333A	Dexta
11	S.65780 Filler Hose (152 cu. in.)	957E8333B	Super Dexta
12	S.65028 Filler Hose	E1ADKN8333	(Fordson Major, Super Major, Power Major 6/55 -64)
13	S.40083 Inlet Hose - Pump to Block	E5CJ9	Dexta, Super Dexta
14	S.18834 Fan Belt (5/8" x 45")	9N8620	9N, 2N, (8N w/ Front Mount Distributor)
14	S.18833 Fan Belt - Alternator (1/2" x 44")		9N, 2N (8N w/ Front Mount Distributor) (w/ S.61050 Alternator Kit)
14	S.18830 Fan Belt - Alternator (5/8" x 41 1/2")	86520007 8N8620	(8N w/ Side Mount Distributor), NAA, Jubilee, (NOTE: Also used w/ S.61020 Alternator Kit)
14	S.18722 Fan Belt (1/2" x 42")	EAF8577A	600, 700, 800, 900, 601, 701, 801, 901, 2000, 4000
14	S.11174 Fan Belt (1/2" x 45")	E1ADKN8620C	(Dexta, Super Dexta, Fordson Major, Power Major, Super Major 9/54 -64)
15	S.04330 Clamp		For: S.60590, S.60591, S.60592, S.60593, S.60594, S.65011, S.65010
15	S.04331 Clamp		For: S.60507, S.65788, S.65008, S.65027, S.65780, S.65028
15	S.04329 Clamp		For: S.40083

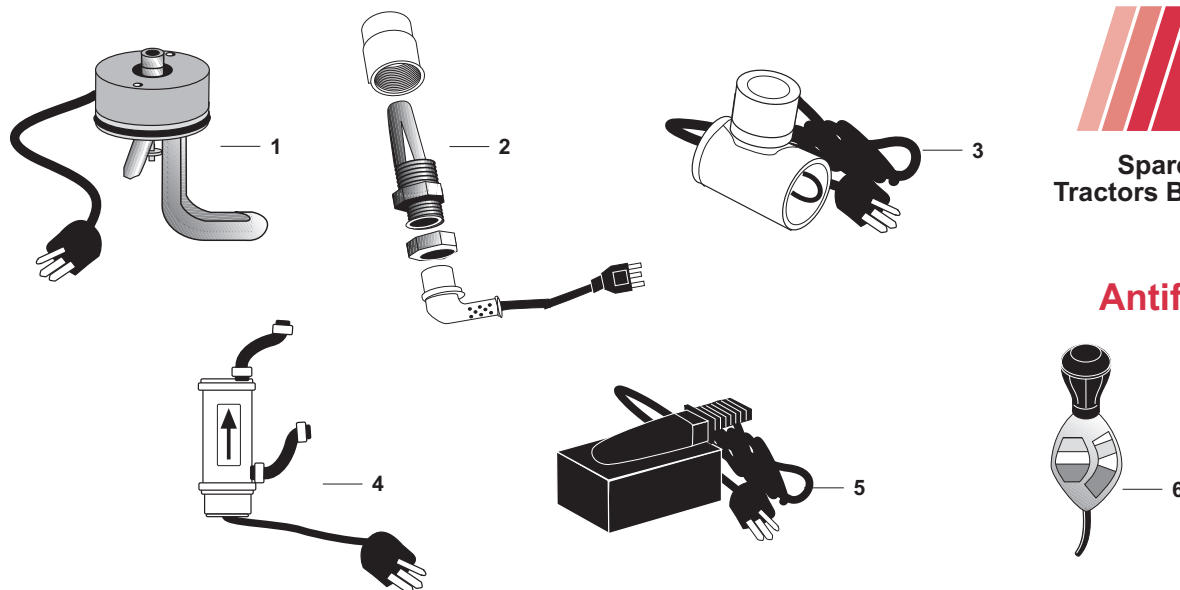
3 - A

### RADIATOR HOSES AND BELTS

	<u>Sparex No.</u>	<u>Price</u>
1.	S.60590	\$3.23
2.	S.60591	\$2.32
3.	S.65007	\$8.25
4.	S.65788	\$9.92
5.	S.65008	\$10.97
6.	S.60592	\$5.20
7.	S.60593	\$6.57
8.	S.60594	\$8.50
9.	S.65010	\$11.42
10.	S.65011	\$12.98
11.	S.65027	\$5.72
11.	S.65780	\$9.15
12.	S.65028	\$5.72
13.	S.40083	\$3.75
14.	S.18834	\$5.73
14.	S.18833	\$9.82
14.	S.18830	\$6.25
14.	S.18722	\$6.30
14.	S.11174	\$6.62
15.	S.04330	\$1.43
15.	S.04331	\$1.48
15.	S.04329	\$1.27

WE ARE NOT RESPONSIBLE FOR MIS-PRINTS OR PRICE CHANGES

## Heaters and Antifreeze Tester



SPAREX No.	DESCRIPTION	EQUIVALENT	TRACTOR MODEL
1	<b>S.07091</b> Core Plug Heater (2.05" Cup Plug) 600 Watts		<b>NAA, Jubilee, 600, 700, 800, 900, 601, 701, 801, 901, 2000, 4000</b>
2	<b>S.42752</b> Core Plug Heater (1 1/4" Cup Plug)		<b>Dexta, Super Dexta</b>
3	<b>S.07081</b> Lower Radiator Hose Heater 1 1/4" ID Hose 600 Watt		
3	<b>S.07082</b> Lower Radiator Hose Heater 1 1/2" ID Hose 600 Watt		
3	<b>S.07083</b> Lower Radiator Hose Heater 1 3/4" ID Hose 600 Watt		
3	<b>S.07084</b> Lower Radiator Hose Heater 2" ID Hose 600 Watt		
4	<b>S.07078</b> Tank Type Heater - 850 Watt		Cooling System up to 18 qt Capacity
4	<b>S.07079</b> Tank Type Heater - 1000 Watt		Cooling System 16-25 qt Capacity
4	<b>S.07080</b> Tank Type Heater - 1500 Watt		Cooling System 26-40 qt Capacity
5	<b>S.07098</b> Magnetic Heater (8 sq in)		
5	<b>S.07099</b> Magnetic Heater (20 sq in)		
6	<b>S.20560</b> Antifreeze Tester - Indicates F° and C° Scales		

Please see Index for alternative O.E. part numbers.

These parts are Sparex parts and are not manufactured by the Original Equipment Manufacturer. Original Equipment Manufacturer names, part numbers and descriptions are quoted for reference purposes only.

4 - A

HEATERS AND ANTIFREEZE TESTER

	<u>Sparex No.</u>	<u>Price</u>
1.	S.07091	\$53.65
2.	S.42752	\$46.27
3.	S.07081	\$29.55
3.	S.07082	\$29.55
3.	S.07083	\$29.55
3.	S.07084	\$29.55
4.	S.07078	\$42.52
4.	S.07079	\$40.50
4.	S.07080	\$48.93
5.	S.07098	\$37.52
5.	S.07099	\$67.62
6.	S.20560	\$6.15

WE ARE NOT RESPONSIBLE FOR MIS-PRINTS OR PRICE CHANGES