

Hydraulics and Related Components

Page No.

1

**Pump Rebuild Kits
and Related Components**

2

**Shaft, Vane & Rotor Kits
and Related Components**

3

**Piston, Ring, Cylinder Sets,
and Related Components**

4

**Lift Cover Arm, Shafts, Draft Control Quadrant
and Related Components**

5

**Lift Cover Repair Kits, Gaskets, O-Rings
and Related Components**

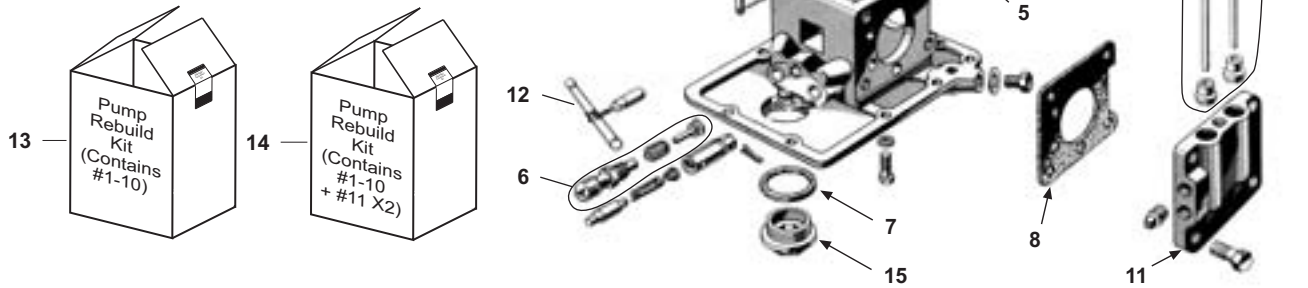
Please see Index for alternative O.E. part numbers.

These parts are Sparex parts and are not manufactured by the Original Equipment Manufacturer.
Original Equipment Manufacturers names, part numbers and descriptions are quoted for reference purposes only.

F7

Spare Parts for FORD
Tractors Built 1939 to 1964

Pump Rebuild Kits and Related Components



| SPAREX No. | DESCRIPTION | EQUIVALENT | TRACTOR MODEL | |
|------------|-------------|---|---------------|--|
| 1 | S.61320 | Gasket - Pump Base | 9N611 | 9N, 2N, 8N |
| 2 | S.61324 | Chamber Repair Kit (For 1 Chamber) | | 9N, 2N, 8N |
| 3 | S.74009 | Cam Block | 9N617A | 9N, 2N, 8N |
| 4 | S.74010 | Piston | 9N615 | 9N, 2N, 8N |
| 5 | S.60449 | PTO Shaft Bushing | 9N649A | 9N, 2N, 8N |
| 6 | S.60023 | Safety Valve | 8N638 | 9N, 2N, 8N |
| 7 | S.61323 | Gasket - Drain Plug | 8N7011 | 9N, 2N, 8N |
| 8 | S.61321 | Gasket - Valve Chamber | 9N613 | 9N, 2N, 8N |
| 9 | S.61322 | Gasket - PTO Shaft Housing | C5NN747A | 9N, 2N, 8N, NAA, Jubilee, 600, 700, 800, 900, 601, 701, 801, 901, 2000, 4000 |
| 10 | S.03352 | Gasket - PTO Shifter Plate | 9N4131 | 9N, 2N, 8N NAA, Jubilee, 600, 700, 800, 900, 601, 701, 801, 901, 2000, 4000 |
| 11 | S.61319 | Valve Chamber - LH or RH (Empty) Uses S.61324 | | 9N, 2N, 8N |
| 12 | S.60057 | Control Valve | 9N640 | 9N, 2N |
| 13 | S.61325 | Pump Rebuild Kit (Complete) (Includes #1-10) | | 9N, 2N, 8N |
| 14 | S.61725 | Pump Rebuild Kit (Complete) (Includes #1-10 + #11 x2) | | 9N, 2N, 8N |
| 15 | S.60340 | Plug - Filler (Lift Cover) Uses S.61323 | 9N7010 | NAA, Jubilee, 600, 700, 800, 900, 601, 701, 801, 901, 2000, 4000 |
| 15 | S.60340 | Drain Plug - Hydraulic Pump | 9N7010 | 9N, 2N, 8N |



Please see Index for alternative O.E. part numbers.

These parts are Sparex parts and are not manufactured by the Original Equipment Manufacturer. Original Equipment Manufacturer names, part numbers and descriptions are quoted for reference purposes only.

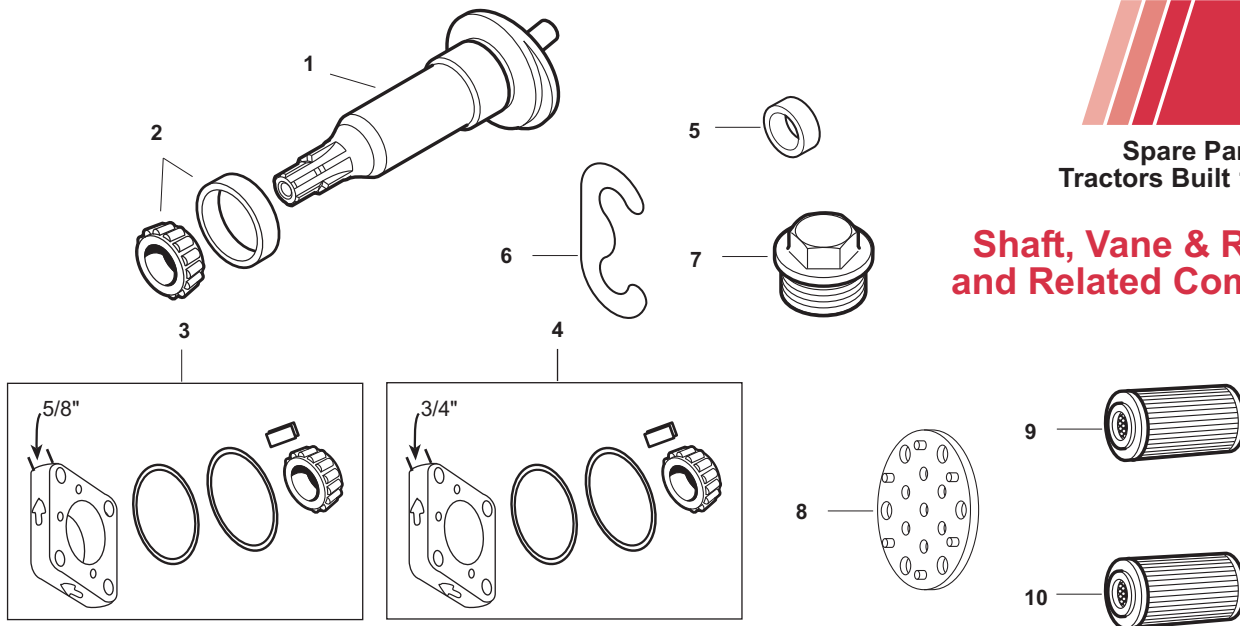
1 - A

PUMP REBUILD KITS AND RELATED COMPONENTS

| | <u>Sparex No.</u> | <u>Price</u> |
|-----|-------------------|----------------|
| 1. | S.61320 | \$1.50 |
| 2. | S.61324 | \$21.50 |
| 3. | S.74009 | \$45.33 |
| 4. | S.74010 | \$31.50 |
| 5. | S.60449 | \$21.58 |
| 6. | S.60023 | \$32.00 |
| 7. | S.61323 | \$1.42 |
| 8. | S.61321 | \$0.92 |
| 9. | S.61322 | \$0.32 |
| 10. | S.03352 | \$0.52 |
| 11. | S.61319 | \$122.67 |
| 12. | S.60057 | \$26.58 |
| 13. | S.61325 | \$248.17 |
| 14. | S.61725 | \$428.33 |
| 15. | S.60340 | Call for Price |
| 15. | S.60340 | Call for Price |

WE ARE NOT RESPONSIBLE FOR MIS-PRINTS OR PRICE CHANGES

Shaft, Vane & Rotor Kits and Related Components



| SPAREX No. | DESCRIPTION | EQUIVALENT | TRACTOR MODEL |
|------------|---|------------------------|--|
| 1 | S.65430 Wobble Shaft (NAA600D & NCA600F Pumps) | EC0N966AA | NAA, Jubilee, 600, 700, 800, 900, 601, 701, 801, 901, 2000, 4000 (w/ Piston Pump) |
| 2 | S.02975 Bearing & Cup (LM67048, LM67010) | D5NN1201A D5NN1202A | NAA, Jubilee, 600, 700, 800, 900, 601, 701, 801, 901, 2000, 4000 (w/ Piston Pump) |
| 3 | S.60990 Vane & Rotor Kit (5/8" Wide) | CPN972B | NAA, Jubilee |
| 4 | S.60192 Vane & Rotor Kit (3/4" Wide) | CPN972C | NAA, Jubilee, 600, 700, 800, 900 |
| 5 | S.04433 Pump Shaft Seal | E97GF9 | Dexta, Super Dexta, (Fordson Major, Power Major, Super Major 11/60-64) |
| 6 | S.04438 Pump Seal | C5NNF844A | (Super Dexta 4/63-64) |
| 7 | S.66181 Filler Plug (1 9/16" Thread) | 957E7010 | Dexta, Super Dexta, (Fordson Major, Power Major, Super Major 11/60-64) |
| 8 | S.61864 Hydraulic Plate Assembly | 310205 | NAA, Jubilee, 600, 700, 800, 900, 601, 701, 801, 901, 2000, 4000 |
| 9 | S.66183 Filter - Steel | C5NNN832C | (Fordson Major, Power Major, Super Major 11/60-64) |
| 10 | S.76548 Filter - Paper | C5NNN832C | (Fordson Major, Power Major, Super Major 11/60-64) |

Please see Index for alternative O.E. part numbers.

These parts are Sparex parts and are not manufactured by the Original Equipment Manufacturer. Original Equipment Manufacturer names, part numbers and descriptions are quoted for reference purposes only.

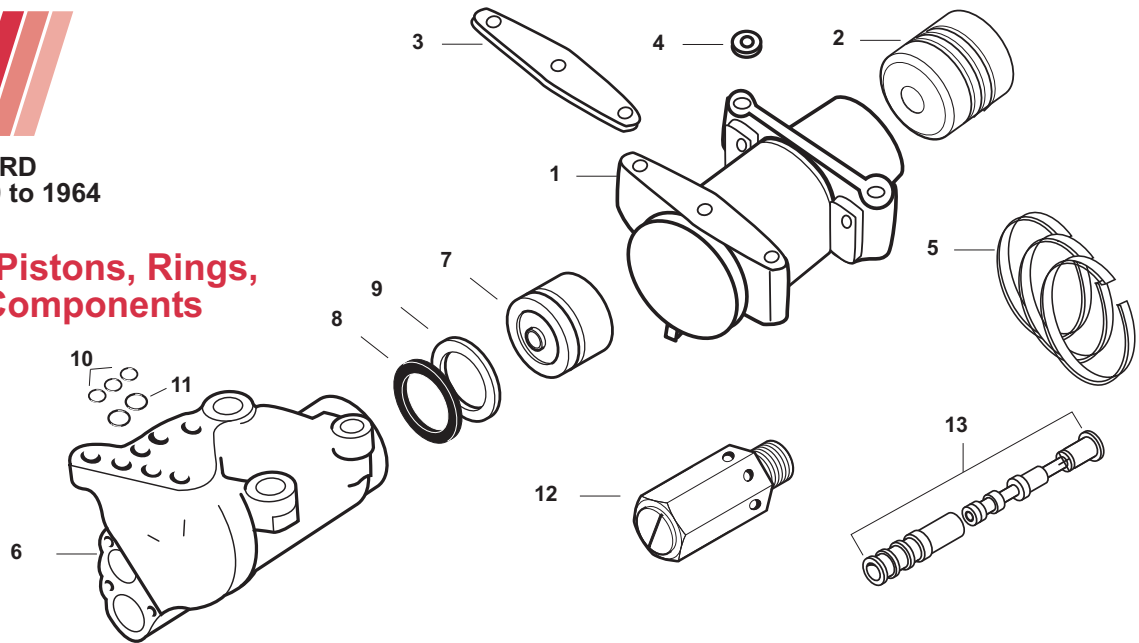
2 - A

SHAFT, VANE & ROTOR KITS AND RELATED COMP.

| | <u>Sparex No.</u> | <u>Price</u> |
|-----|-------------------|--------------|
| 1. | S.65430 | \$47.50 |
| 2. | S.02975 | \$6.25 |
| 3. | S.60990 | \$408.33 |
| 4. | S.60192 | \$408.33 |
| 5. | S.04433 | \$1.25 |
| 6. | S.04438 | \$2.25 |
| 7. | S.66181 | \$7.58 |
| 8. | S.61864 | \$25.50 |
| 9. | S.66183 | \$9.92 |
| 10. | S.76548 | \$8.25 |

WE ARE NOT RESPONSIBLE FOR MIS-PRINTS OR PRICE CHANGES

Lift Cylinder, Pistons, Rings, and Related Components



| SPAREX No. | DESCRIPTION | EQUIVALENT | TRACTOR MODEL |
|------------|--|--------------|--|
| 1 | S.42228 Cylinder - 2 1/2" Bore | 9N510D | 9N, 2N, 8N |
| 2 | S.61588 Piston - 3 Ring | 9N530B | 9N, 2N, 8N, NAA, Jubilee |
| 3 | S.42212 Gasket - Cylinder to Lift Cover | 9N553 | 9N, 2N, 8N |
| 4 | S.42213 Gasket - Cylinder to Lift Cover | 9N552 | 9N, 2N, 8N |
| 5 | S.61589 3 Ring Set | 9N675 | 9N, 2N, 8N, NAA, Jubilee |
| 6 | S.60580 Cylinder w/ Unload Valve, Control Valve (Modification needed. Call for details) | C5NN477B | 600, 700, 800, 900, 601, 701, 801, 901, 2000, 4000, Dexta, Super Dexta |
| 7 | S.66192 Piston | C5NN530B | 600, 700, 800, 900, 601, 701, 801, 901, 2000, 4000, (*Dexta, Super Dexta) |
| 8 | S.04584 Back-up Ring | NCA473A | 600, 700, 800, 900, 601, 701, 801, 901, 2000, 4000, (*Dexta, Super Dexta) |
| 9 | S.01960 O-Ring Seal | 87111S95 | 600, 700, 800, 900, 601, 701, 801, 901, 2000, 4000, (*Dexta, Super Dexta) |
| 9 | S.04723 Seal - Gland (2 3/4" OD) | E27N994693B | Fordson Major, Fordson Power Major (52-11/60) |
| 9 | S.04724 Seal - Gland (3 3/8" OD) | E1ADDN994693 | Power Major, Super Major (12/60-64) |
| 9 | S.04722 Seal - Gland | E11GF9 | (Dexta, Super Dexta w/ Original Piston) |
| 10 | S.01903 O-Ring - Cylinder to Lift Cover | 87006S94 | 600, 700, 800, 900, 601, 701, 801, 901, 2000, 4000, Dexta, Super Dexta |
| 11 | S.01926 O-Ring - Cylinder to Lift Cover | 87010S94 | 600, 700, 800, 900, 601, 701, 801, 901, 2000, 4000, Dexta, Super Dexta |
| 12 | S.05602 Cylinder Relief Valve | E1ADDN984 | Fordson Major, Power Major, Super Major (11/60-64) |
| 13 | S.04619 Control Valve & Bushing (White) | C7NN481D | Dexta, Super Dexta, Fordson Major, Power Major, Super Major (11/60-64) |
| 13 | S.04620 Control Valve & Bushing (Blue) | C7NN481E | Dexta, Super Dexta, Fordson Major, Power Major, Super Major (11/60-64) |
| 13 | S.04621 Control Valve & Bushing (Yellow) | C7NN488K | Dexta, Super Dexta, Fordson Major, Power Major, Super Major (11/60-64) |
| 13 | S.04622 Control Valve & Bushing (Green) | C7NN481G | Dexta, Super Dexta, Fordson Major, Power Major, Super Major (11/60-64) |
| 13 | S.04808 Control Valve & Bushing (Orange) | C7NN481H | Dexta, Super Dexta, Fordson Major, Power Major, Super Major (11/60-64) |
| | | | *Note: Original Dexta, Super Dexta Lift Pistons were fitted with a Gland Style Seal. If replacing, original Piston with S.66192, use S.01962 O-Ring and S.04584 Back-up Ring also. Original Gland Seal is available (S.04722). |

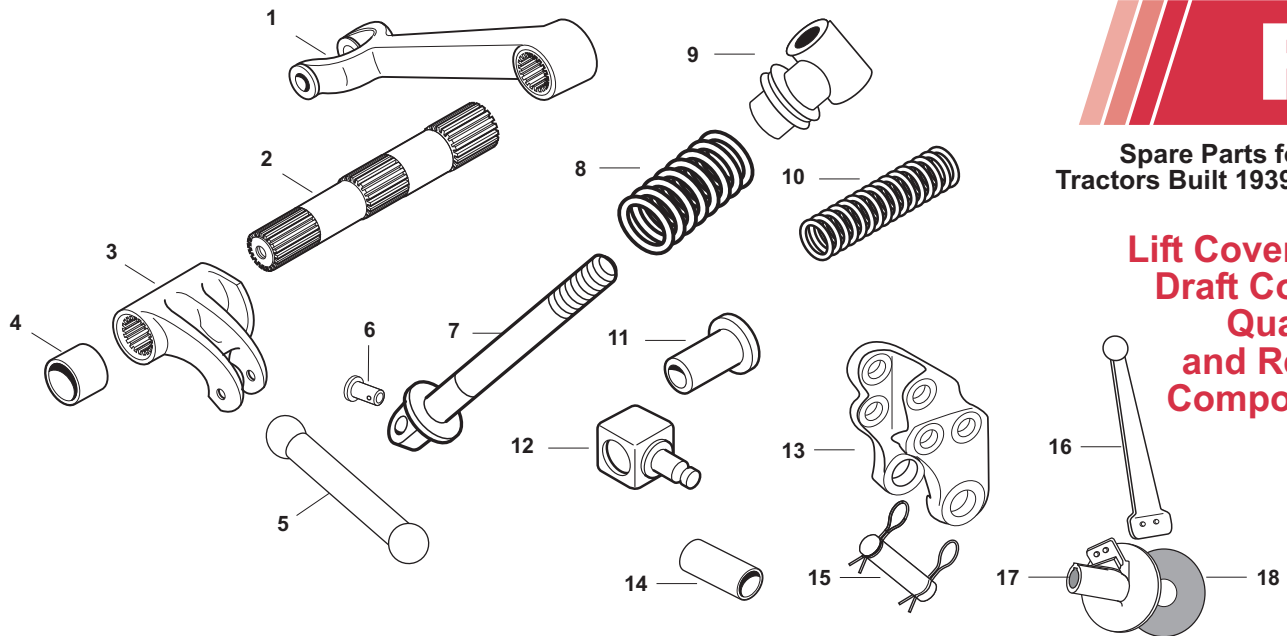
3 - A

LIFT CYLINDER, PISTONS, RINGS AND RELATED COMP.

| | <u>Sparex No.</u> | <u>Price</u> |
|-----|-------------------|--------------|
| 1. | S.42228 | \$111.67 |
| 2. | S.61588 | \$17.83 |
| 3. | S.42212 | \$0.33 |
| 4. | S.42213 | \$1.08 |
| 5. | S.61589 | \$5.83 |
| 6. | S.60580 | \$608.33 |
| 7. | S.66192 | \$25.00 |
| 8. | S.04584 | \$1.58 |
| 9. | S.01960 | \$0.37 |
| 9. | S.04723 | \$5.33 |
| 9. | S.04724 | \$3.80 |
| 9. | S.04722 | \$6.63 |
| 10. | S.01903 | \$0.03 |
| 11. | S.01926 | \$0.05 |
| 12. | S.05602 | \$21.58 |
| 13. | S.04619 | \$64.17 |
| 13. | S.04620 | \$64.17 |
| 13. | S.04621 | \$64.17 |
| 13. | S.04622 | \$64.17 |
| 13. | S.04808 | \$64.17 |

WE ARE NOT RESPONSIBLE FOR MIS-PRINTS OR PRICE CHANGES

Lift Cover Arm, Draft Control, Quadrant and Related Components



| SPAREX No. | DESCRIPTION | EQUIVALENT | TRACTOR MODEL | |
|------------|-------------|---|----------------------|--|
| 1 | S.42171 | Arm | 9N543B | 9N, 2N, 8N, NAA, Jubilee, 600, 700, 800, 900, 601, 701, 801, 901, 2000, 4000, |
| 1 | S.66206 | Arm - less Auto Hitch | E1ADDN994620A | Fordson Major, Power Major, Super Major |
| 2 | S.60630 | Lift Shaft | NCA544B | 9N, 2N, 8N, NAA, Jubilee, 600, 700, 800, 900, 601, 701, 801, 901, 2000, 4000 |
| 2 | S.66205 | Lift Shaft | E1ADDN544 | Fordson Major, Fordson Power Major, Fordson Super Major (11/60-64) |
| 3 | S.60570 | Arm | 8N545B | 8N |
| 3 | S.66201 | Arm | EIADDN545B | Fordson Super Major (6/63-64) |
| 4 | S.41425 | Bushing - Lift Shaft (4 Required) (2" x 2 3/8" x 1 1/8") | 9N531C 86534029 | 9N, 2N, 8N, NAA, Jubilee, 600, 700, 800, 900, 601, 701, 801, 901, 2000, 4000, Dexta, Super Dexta |
| 5 | S.66195 | Lift Rod | 957E526 86563314 | 9N, 2N, 8N, NAA, Jubilee, 600, 700, 800, 900, 601, 701, 801, 901, 2000, 4000, Dexta, Super Dexta |
| 6 | S.01468 | Clevis Pin | 352594S | Same as Above |
| 7 | S.60585 | Plunger (Draft Control) (5/8" x 24 Thread) | 8N541B | 9N, 2N, 8N, NAA, Jubilee, 600, 700, 800, 900, 601, 701, 801, 901, 2000, 4000, Dexta, Super Dexta |
| 8 | S.41428 | Hydraulic Control Spring | 9N547B | 9N, 2N, 8N, NAA, Jubilee, 600, 800, 601, 801, 2000, 4000 (except Rowcrop), Dexta, Super Dexta |
| 9 | S.60586 | Yoke (5/8" x 24 Thread) | 9N546C | 9N, 2N, 8N |
| 10 | S.66216 | Spring - Draft Control | 957E539 | Dexta, Super Dexta |
| 11 | S.66217 | Bushing - Draft Control | 957E691 | Dexta, Super Dexta |
| 12 | S.66222 | Swivel - Draft Control | 957E692 | NAA, Jubilee, 600, 700, 800, 900, 601, 701, 801, 901, 2000, 4000, Dexta, Super Dexta |
| 13 | S.61643 | Rocker | NCA535A | 9N, 2N, 8N, NAA, Jubilee, 600, 800, 601, 801, 2000, 4000, |
| 14 | S.66250 | Bushing - Rocker to Center Housing | E1NNB681AA E66GF9 | Dexta, Super Dexta |
| 15 | S.61318 | Clevis Pin w/ Clips (Not original) Rocker to Center Housing | 8N486B | 9N, 2N, 8N, NAA, Jubilee, 600, 800, 601, 801, 2000, 4000, (except Rowcrop) |
| 16 | S.66598 | Lift Control Lever w/ Ball End | 2N512 | 9N, 2N, 8N, NAA, Jubilee, 600, 700, 800, 900, 601, 701, 801, 901, 2000, 4000 |
| 17 | S.66515 | Lift Control Plate (Cast Aluminium as Original) | 2N516A2 | 9N, 2N, 8N, NAA, Jubilee, 600, 700, 800, 900, 601, 701, 801, 901, 2000, 4000 |
| 18 | S.60635 | Friction Disc | C5NN518B | Same as Above |

Please see Index for alternative O.E. part numbers.

These parts are Sparex parts and are not manufactured by the Original Equipment Manufacturer. Original Equipment Manufacturer names, part numbers and descriptions are quoted for reference purposes only.

4 - A

LIFT COVER ARM, DRAFT CONTROL, QUADRANT AND
RELATED COMPONENTS

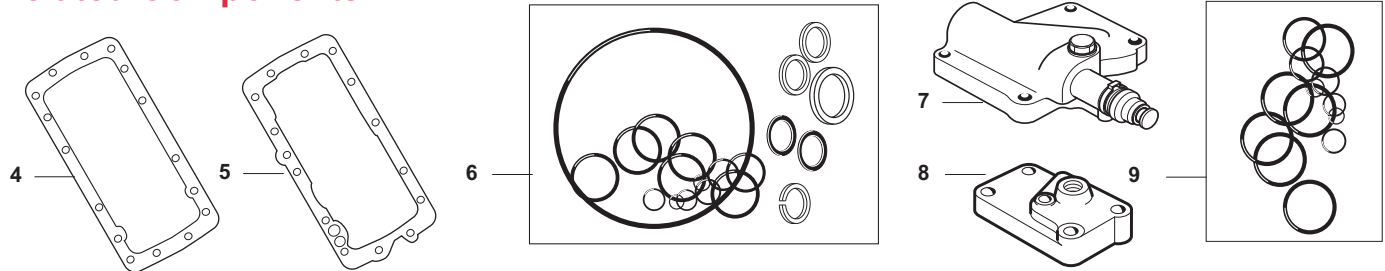
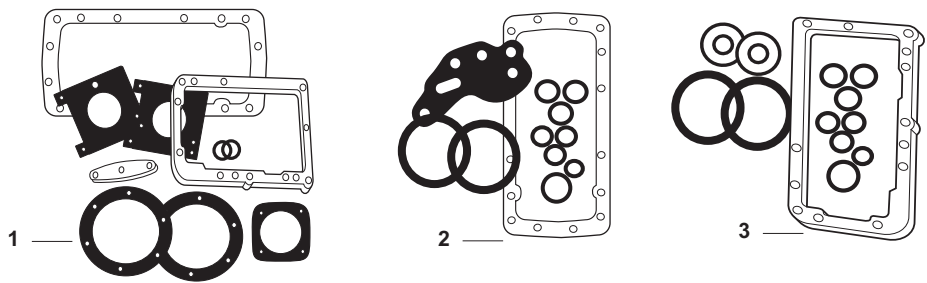
| | <u>Sparex No.</u> | <u>Price</u> |
|-----|-------------------|----------------|
| 1. | S.42171 | \$48.50 |
| 1. | S.66206 | \$114.92 |
| 2. | S.60630 | Call for Price |
| 2. | S.66205 | \$114.92 |
| 3. | S.60570 | \$100.00 |
| 3. | S.66201 | \$116.67 |
| 4. | S.41425 | \$4.32 |
| 5. | S.66195 | \$15.00 |
| 6. | S.01468 | \$0.43 |
| 7. | S.60585 | \$34.17 |
| 8. | S.41428 | \$33.00 |
| 9. | S.60586 | \$30.00 |
| 10. | S.66216 | \$5.00 |
| 11. | S.66217 | \$6.50 |
| 12. | S.66222 | \$19.92 |
| 13. | S.61643 | \$70.00 |
| 14. | S.66250 | \$16.63 |
| 15. | S.61318 | \$2.30 |
| 16. | S.66598 | \$17.50 |
| 17. | S.66515 | \$18.25 |
| 18. | S.60635 | \$0.98 |

WE ARE NOT RESPONSIBLE FOR MIS-PRINTS OR PRICE CHANGE

F7

Spare Parts for FORD Tractors Built 1939 to 1964

Life Cover Repair Kits, Gaskets, O-Rings and Related Components



| SPAREX No. | DESCRIPTION | EQUIVALENT | TRACTOR MODEL |
|------------|--|------------|---|
| 1 | S.61504 Lift Cover Repair Kit Contains: Gaskets for Lift Cover & Pump, Piston, O-Ring, Back-up Ring | LCRK928 | 9N, 2N, 8N |
| 2 | S.61505 Lift Cover Repair Kit Contains: Gaskets & O-Rings for Lift Cover, Piston, O-Ring, Back-up Ring | LCRK5354 | NAA, Jubilee |
| 3 | S.61506 Lift Cover Repair Kit Contains: Gaskets & O-Rings for Lift Cover, Piston, O-Ring & Back-up Ring | LCRK5564 | 600, 700, 800, 900, 601, 701, 801, 901, 2000, 4000, (Dexta, Super Dexta If Piston has been changed to O-Ring & Back-up Ring Style.) If Piston is original w/ single Gland Seal order S.04722 Gland also. See F7 / pg 3 / #9 Note. |
| 4 | S.42217 Lift Cover Gasket | NAA502A | 9N, 2N, 8N, NAA, Jubilee |
| 5 | S.66301 Lift Cover Gasket | NCA502A | 600, 700, 800, 900, 601, 701, 801, 901, 2000, 4000, Dexta, Super Dexta |
| 6 | S.04725 O-Ring & Seal Kit, (Lift Cover, Cylinder, Pump) Contains both old and new syle Piston Seals | | Dexta, Super Dexta |
| 6 | S.04726 O-Ring & Seal Kit (Lift Cover, Cylinder, Pump) | | Fordson Major, Fordson Power Major |
| 7 | S.66232 Selector Valve | | 600, 700, 800, 900, 601, 701, 801, 901, 2000, 4000, Dexta, Super Dexta |
| 8 | S.66233 Blocking Plate Note: Longer bolts may be needed to mount plate | NCA475E | 600, 700, 800, 900, 601, 701, 801, 901, 2000, 4000, Dexta, Super Dexta |
| 9 | S.11787 Flat Style Seal Kit | | S.66232 Selector Valve, S.66233 Blocking Plate |
| 9 | S.11789 O-Ring Seal Kit | | S.66232 Selector Valve, S.66233 Blocking Plate |

5 -A

LIFE COVER REPAIR KITS, GASKETS, O-RINGS AND RELATED COMP.

| | <u>Sparex No.</u> | <u>Price</u> |
|----|-------------------|--------------|
| 1. | S.61504 | \$9.37 |
| 2. | S.61505 | \$6.47 |
| 3. | S.61506 | \$8.58 |
| 4. | S.42217 | \$1.00 |
| 5. | S.66301 | \$2.65 |
| 6. | S.04725 | \$19.92 |
| 6. | S.04726 | \$12.08 |
| 7. | S.66232 | \$233.33 |
| 8. | S.66233 | \$37.33 |
| 9. | S.11787 | \$5.42 |
| 9. | S.11789 | \$2.13 |

WE ARE NOT RESPONSIBLE FOR MIS-PRINTS OR PRICE CHANGES