

Page No.

1	Fenders and Miscellaneous
2	Hood Side Panels, Grills and Related Components
3	Step Plates and Related Components
4	Hood Emblems
5	Decal Kits
6	Bumpers, IT Manuals, Tool Boxes, and Miscellaneous
7	Shop, Owner, and Parts Manuals
8	Zippo Lighters and Zip Lights

**Sheet Metal, Manuals,  
Emblems, Decals,  
and Miscellaneous**

Please see Index for alternative O.E. part numbers.

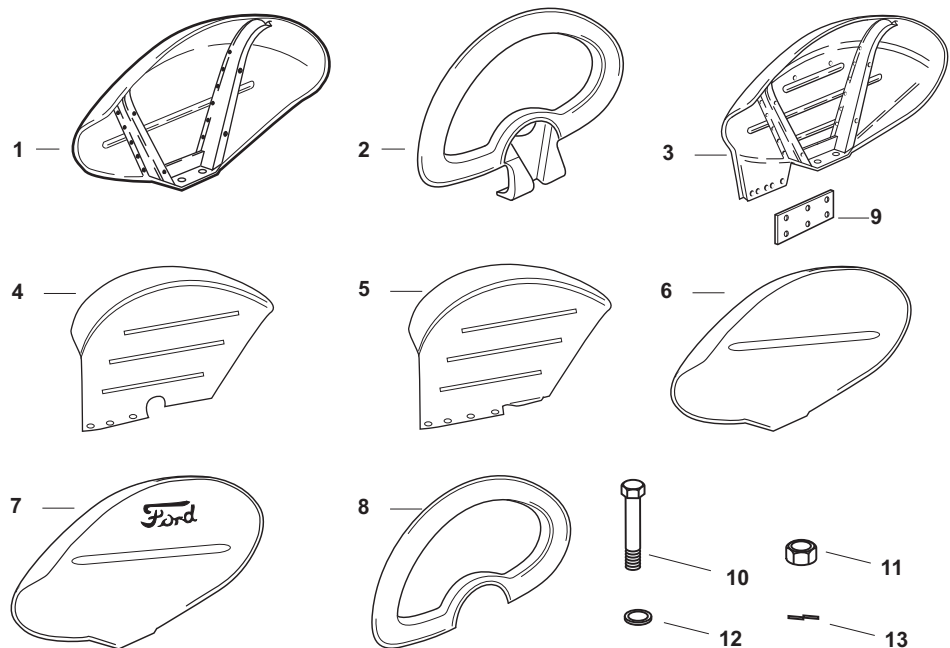
These parts are Sparex parts and are not manufactured by the Original Equipment Manufacturer.

Original Equipment Manufacturers names, part numbers and descriptions are quoted for reference purposes only.

# F12

Spare Parts for FORD  
Tractors Built 1939 to 1964

## Fenders and Miscellaneous



NOTE: Fit sheet metal before painting.

SPAREX No.	DESCRIPTION	EQUIVALENT	TRACTOR MODEL
1	S.41477 Fender Assembly	C0NN16312A	9N, 2N, 8N, NAA, Jubilee
2	S.60670 Fender Assembly	C5NN16312AK C5NN16312AU	601, 801, 2000, 4000 (Except Rowcrop)
3	S.60685 Fender Assembly - RH	957E16312A	Dexta, Super Dexta
3	S.60686 Fender Assembly - LH	957E16313C	Dexta, Super Dexta
4	S.66722 Fender Assembly - RH	E1ADKN16312B	Fordson Major, Fordson Power Major
4	S.66723 Fender Assembly - LH	E1ADKN16313B	Fordson Major, Fordson Power Major
5	S.66592 Fender Assembly - RH	E1ADDN16312B	Fordson Super Major
5	S.66593 Fender Assembly - LH	E1ADDN16313E	Fordson Super Major
6	S.60680 Fender Skin		9N, 2N, 8N, NAA, Jubilee
7	S.61175 Fender Skin with FORD Script (Officially Licensed by FORD)		9N, 2N, 8N, NAA, Jubilee
8	S.60690 Fender Skin	E1NN16315DA	601, 701, 801, 901, 2000, 4000
9	S.42162 Fender Extensions	E250PA9	Dexta, Super Dexta (w/ 12 x 28 Tires)
10	S.08931 Hex Head Bolt - 5/8" x 6 UNF		All Ford Tractors 1939-1964 (Except Major)
10	S.53803 Hex Head Bolt - 5/8" x 7 UNF		All Ford Tractors 1939-1964 (Except Major)
11	S.01002 Nut - 5/8" UNF		All Ford Tractors 1939-1964 (Except Major)
12	S.04979 Flatwasher - 5/8"		All Ford Tractors 1939-1964 (Except Major)
13	S.01033 Lockwasher - 5/8"		All Ford Tractors 1939-1964 (Except Major)



Please see Index for alternative O.E. part numbers.

These parts are Sparex parts and are not manufactured by the Original Equipment Manufacturer. Original Equipment Manufacturer names, part numbers and descriptions are quoted for reference purposes only.

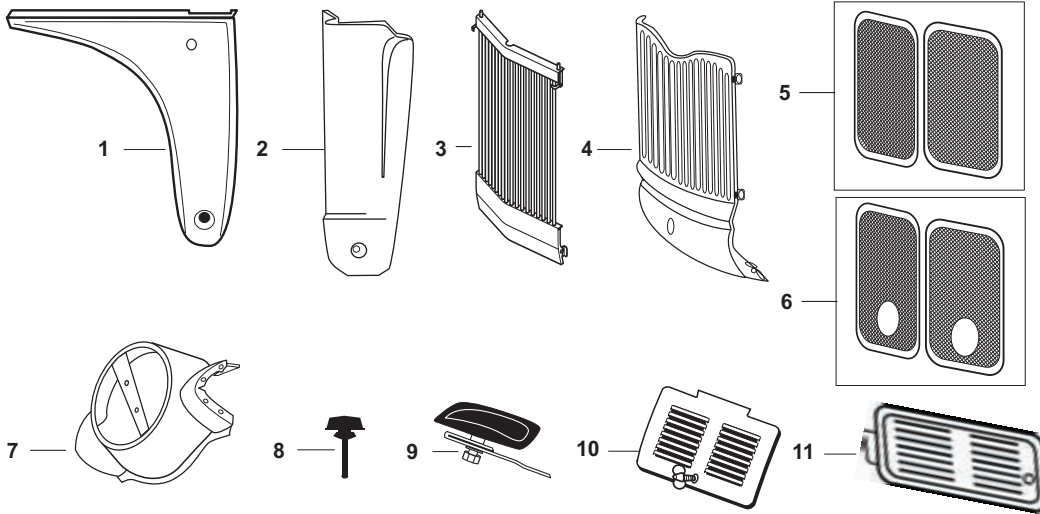
1 -A

FENDERS AND MISCELLANEOUS

	<u>Sparex No.</u>	<u>Price</u>
1.	S.41477	\$99.50
2.	S.60670	\$120.83
3.	S.60685	\$165.83
3.	S.60686	\$165.83
4.	S.66722	\$258.25
4.	S.66723	\$258.25
5.	S.66592	\$276.67
5.	S.66593	\$276.67
6.	S.60680	\$68.67
7.	S.61175	\$184.33
8.	S.60690	\$80.33
9.	S.42162	\$11.58
10.	S.08931	\$2.48
10.	S.53803	\$4.95
11.	S.01002	\$0.23
12.	S.04979	\$0.15
13.	S.01033	\$0.17

WE ARE NOT RESPONSIBLE FOR MIS-PRINTS OR PRICE CHANGES

## Hood Side Panels, Grill Assemblies and Related Components



SPAREX No.	DESCRIPTION	EQUIVALENT	TRACTOR MODEL
1	<b>S.66869</b> Hood Side Panel - RH	8N16618	<b>8N</b>
1	<b>S.66870</b> Hood Side Panel - LH	8N16619	<b>8N</b>
2	<b>S.61514</b> Hood Side Panel - RH	C3NN16652A NCA16652A	<b>NAA, Jubilee, 600, 800, 601, (801 w/ modification), 2000, 4000 (except Rowcrop)</b>
2	<b>S.61513</b> Hood Side Panel - LH	C3NN16653A NCA16653A	<b>NAA, Jubilee, 600, 800, 601, (801 w/ modification) 2000, 4000 (except Rowcrop)</b>
3	<b>S.60600</b> Front Grill Assembly	8N8204	<b>8N, (2N, 9N w/ modification)</b>
3	<b>S.60310</b> Front Grill Assembly - Restoration Quality	8N8204	<b>8N, (2N, 9N w/ modification)</b>
4	<b>S.61985</b> Front Grill Assembly - Restoration Quality	NCA8200A	<b>NAA, Jubilee, 600, 800, 601</b>
5	<b>S.66745</b> Grill Set - RH/LH w/out Light Holes	957E8163A 957E8164A	<b>Dexta, Super Dexta</b>
5	<b>S.66835</b> Grill Set - RH/LH w/out Light Holes	E1ADKN8163A E1ADKN8164A	<b>Fordson Major, Fordson Power Major (52-11/60)</b>
6	<b>S.66743</b> Grill Set - RH/LH w/ Light Holes	957E8163B 957E8164B	<b>Dexta, Super Dexta</b>
6	<b>S.66836</b> Grill Set - RH/LH w/ Light Holes	E1ADDN8163 E1ADDN8164	<b>Fordson Super Major, Fordson Power Major (11/60-64)</b>
7	<b>S.66578</b> Hood Emblem Housing	311319	<b>NAA, Jubilee, 600, 700, 800, 900, 601, 701, 801, 901,</b>
8	<b>S.61991</b> Rubber Bumper - Battery Door	358159A1S	<b>9N, 2N, 8N</b>
9	<b>S.60601</b> Handle & Latch - Battery Door	9N16625	<b>9N, 2N, 8N</b>
10	<b>S.60602</b> Air Cleaner Door	8N9661	<b>8N</b>
11	<b>S.61571</b> Air Cleaner Door - Restoration Quality	NAA9661B	<b>NAA, Jubilee, 600, 700, 800, 900, 601, 701, 801, 901, 2000, 4000</b>

Please see Index for alternative O.E. part numbers.

These parts are Sparex parts and are not manufactured by the Original Equipment Manufacturer. Original Equipment Manufacturer names, part numbers and descriptions are quoted for reference purposes only.

2 - A

HOOD SIDE PANELS, GRILL ASSEMBLIES  
AND RELATED COMPONENTS

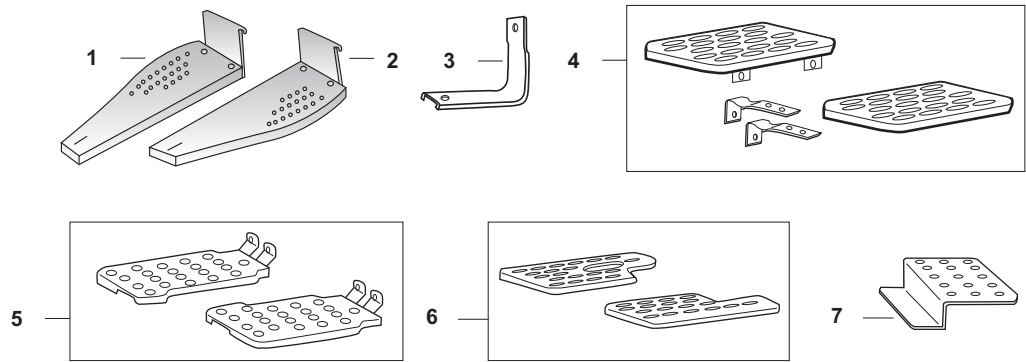
	<u>Sparex No.</u>	<u>Price</u>
1.	S.66869	\$69.92
1.	S.66870	\$69.92
2.	S.61514	\$113.92
2.	S.61513	\$113.92
3.	S.60600	\$50.00
3.	S.60310	\$113.33
4.	S.61985	\$281.67
5.	S.66745	\$129.92
5.	S.66835	\$116.58
6.	S.66743	\$129.92
6.	S.66836	\$129.92
7.	S.66578	\$116.58
8.	S.61991	\$0.63
9.	S.60601	\$11.58
10.	S.60602	\$16.67
11.	S.61571	\$24.77

WE ARE NOT RESPONSIBLE FOR MIS-PRINTS OR PRICE CHANGES

# F12

Spare Parts for FORD Tractors Built 1939 to 1964

## Step Plates and Related Components



SPAREX No.	DESCRIPTION	EQUIVALENT	TRACTOR MODEL
1	<b>S.61128</b> Step Plate Assembly - LH Does NOT Include Rear Bracket		<b>9N, 2N</b>
2	<b>S.61127</b> Step Plate Assembly - RH Does NOT Include Rear Bracket		<b>9N, 2N</b>
3	<b>S.42997</b> Rear Step Plate Bracket		<b>9N, 2N</b>
4	<b>S.66747</b> Step Plate Set w/ Bracket	957E16473B 957E16472A	<b>Dexta, Super Dexta</b>
5	<b>S.66749</b> Step Plate Set - LH/RH	E1ADKN16472-RH E1ADKN16473-LH	<b>Fordson Major, Fordson Power Major (52-11/60)</b>
6	<b>S.66859</b> Step Plate Set - LH/RH	E1ADDN16450A-RH E1ADDN16451A-LH	<b>Fordson Power Major, Fordson Super Major (12/60-&gt;)</b>
7	<b>S.66860</b> Footstep		<b>Fordson Major, Fordson Power Major, Fordson Super Major</b>

3 - A

STEP PLATES AND RELATED COMPONENTS

	<u>Sparex No.</u>	<u>Price</u>
1.	S.61128	\$48.33
2.	S.61127	\$48.33
3.	S.42997	\$14.95
4.	S.66747	\$224.92
5.	S.66749	\$212.17
6.	S.66859	\$254.58
7.	S.66860	\$43.08

WE ARE NOT RESPONSIBLE FOR MIS-PRINTS OR PRICE CHANGES



1



2

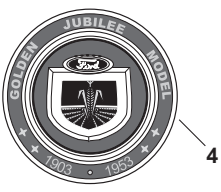


3

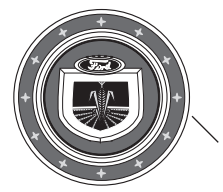
# F12

Spare Parts for FORD Tractors Built 1939 to 1964

## Hood Emblems



4



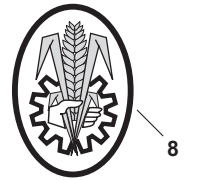
5



6



7



8

SPAREX No.	DESCRIPTION	EQUIVALENT	TRACTOR MODEL
1	S.60605 Front Emblem - 2 pcs	2N16600 8N16600B	2N, 9N
2	S.60604 Front Emblem - Aluminum w/ Red	8N16600A	8N
3	S.60631 Front Emblem - Chrome Finish w/ Red Background	8N16600A	
4	S.60608 Front Emblem - Chrome Plated Original Colors	NAA16600B	Jubilee
5	S.60609 Front Emblem - Chrome Plated Original Colors	311231 NAA16600C	NAA
6	S.60616 Front Emblem - Chrome Plated Original Color	NCA16600A	(600 1955-1957)
7	S.60618 Front Emblem - Chrome Plated Original Colors	NDA16600A	(800 1955-1957)
8	S.66838 Front Emblem	E1ADKN8212C	Fordson Major

Please see Index for alternative O.E. part numbers.

These parts are Sparex parts and are not manufactured by the Original Equipment Manufacturer. Original Equipment Manufacturer names, part numbers and descriptions are quoted for reference purposes only.

4 - A

## HOOD EMBLEMS

	<u>Sparex No.</u>	<u>Price</u>
1.	S.60605	\$24.17
2.	S.60604	\$20.83
3.	S.60631	\$39.13
4.	S.60608	\$53.67
5.	S.60609	\$53.67
6.	S.60616	\$54.58
7.	S.60618	\$54.58
8.	S.66838	\$28.30

WE ARE NOT RESPONSIBLE FOR MIS-PRINTS OR PRICE CHANGES

# F12

Spare Parts for FORD  
Tractors Built 1939 to 1964

## Decals



SPAREX No.	DESCRIPTION	EQUIVALENT	TRACTOR MODEL
1	<b>S.61440</b> Restoration Decal Kit Proofmeter, Oil Filter, Draft Control, PTO, Air Cleaner		<b>9N, 2N, 8N</b>
2	<b>S.61441</b> FORD Script Painting Mask (8 5/8" x 3", 5 3/8" x 2 1/4")		
3	<b>S.66695</b> Complete Decal Kit		<b>600</b> (1955-1957)
3	<b>S.66697</b> Complete Decal Kit		<b>800</b> (1955-1957)
3	<b>S.66699</b> Complete Decal Kit		<b>900</b> (1955-1957)
4	<b>S.66696</b> Complete Decal Kit		<b>601</b> (1958-1962)
4	<b>S.66698</b> Complete Decal Kit		<b>801</b> (1958-1962)
4	<b>S.66700</b> Complete Decal Kit		<b>901</b> (1958-1962)
4	<b>S.66881</b> Complete Decal Kit		<b>601</b> (1958-1962) Select-O-Speed
4	<b>S.66882</b> Complete Decal Kit		<b>801</b> (1958-1962) Select-O-Speed
4	<b>S.66883</b> Complete Decal Kit		<b>901</b> (1958-1962) Select-O-Speed
5	<b>S.66701</b> Hood Decals		<b>2000</b> (1962-1964) Gas
5	<b>S.66702</b> Hood Decals		<b>Super Dexta</b> (1962-1964) <b>2000</b> (1962-1964) Diesel
5	<b>S.66703</b> Hood Decals		<b>4000</b> (1962-1964) Gas
5	<b>S.66704</b> Hood Decals		<b>4000</b> (1962-1964) Diesel
6	<b>S.66886</b> Complete Decal Kit		<b>2000</b> (1962-1964) Gas - Select-O-Speed
6	<b>S.66884</b> Complete Decal Kit		<b>4000</b> (1962-1964) Gas - Select-O-Speed
6	<b>S.66885</b> Complete Decal Kit		<b>4000</b> (1962-1964) Diesel - Select-O-Speed

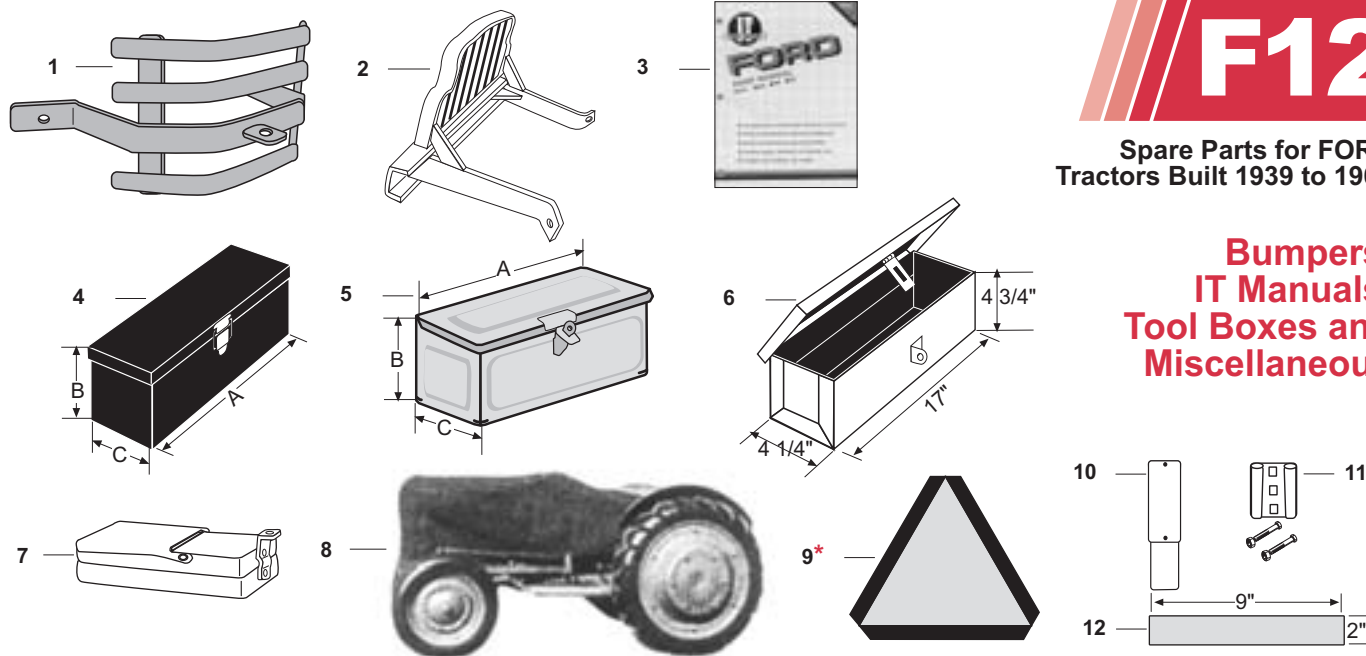
5 - A

DECALS

	<u>Sparex No.</u>	<u>Price</u>
1.	S.61440	\$19.97
2.	S.61441	\$14.33
3.	S.66695	\$49.98
3.	S.66697	\$49.98
3.	S.66699	\$49.98
4.	S.66696	\$64.92
4.	S.66698	\$64.92
4.	S.66700	\$64.92
4.	S.66881	\$72.92
4.	S.66882	\$72.92
4.	S.66883	\$72.92
5.	S.66701	\$43.75
5.	S.66702	\$43.75
5.	S.66703	\$43.75
5.	S.66704	\$43.75
6.	S.66886	\$43.75
6.	S.66884	\$65.83
6.	S.66885	\$65.83

WE ARE NOT RESPONSIBLE FOR MIS-PRINTS OR PRICE CHANGES

## Bumpers, IT Manuals, Tool Boxes and Miscellaneous



SPAREX No.	DESCRIPTION	EQUIVALENT	TRACTOR MODEL
1	S.60660 Bumper	311541HD	9N, 2N, 8N
2	S.60709 Bumper - Red or Blue (Specify when ordering)		NAA, Jubilee, 600, 800, 601, 801, 2000, 4000
3	FO4 I + T Manual		9N, 2N, 8N
3	FO19 I + T Manual		NAA, Jubilee
3	FO20 I + T Manual		600, 700, 800, 900, 601, 701, 801, 901, 2000, 4000
3	FO201 I + T Manual		Dexta, Super Dexta, Fordson Major, Power Major, Super Major
4	S.75928 Tool Box - Black (A=16", B=4 3/4", C=5")		Universal (Lid opens flat against surface)
5	S.42931 Tool Box - Red Primer (A=11", B=4 1/2", C=4")		9N, 2N (Reuse original bracket)
6	S.60518 Tool Box - (17" ) Grey Metal		
7	S.60587 Tool Box - Restoration Quality (Fits Between Step Plate and Rear Axle Housing)	C5NN17005F NCA17005A	600, 700, 800, 900, 601, 701, 801, 901, 2000, 4000
8	S.60175 Tractor Cover - Brown		9N, 2N, 8N
9*	S.60495 Slow Moving Vehicle Emblem Metal - Type 1		
9*	S.60494 Slow Moving Vehicle Emblem Decal Only - Type 1		
9*	S.60489 Slow Moving Vehicle Emblem Metal - Type 2		
9*	S.60492 Slow Moving Vehicle Emblem Plastic - Type 2		
9*	S.60491 Slow Moving Vehicle Emblem Decal Only - Type 2		
10	S.60497 Mounting Spade		
11	S.60496 Mounting Socket w/ Hardware		
12	S.60498 Reflective Strip - Red - Type 2 w/ Cold Weather Adhesive		
12	S.60499 Reflective Strip - Yellow - Type 2 w/ Cold Weather Adhesive		

**\*NOTE:**  
**Type 1: 2 Year outdoor service life with 600 feet or more of reflectability at dusk/dawn.**  
**Type 2: 5 Year outdoor service life with 1000 feet or more of reflectability at dusk/dawn. (Recommended Choice)**

Please see Index for alternative O.E. part numbers.

These parts are Sparex parts and are not manufactured by the Original Equipment Manufacturer. Original Equipment Manufacturer names, part numbers and descriptions are quoted for reference purposes only.

6 - A

BUMPERS, IT MANUALS, TOOL BOXES AND  
MISCELLANEOUS

	<u>Sparex No.</u>	<u>Price</u>
1.	S.60660	\$93.12
2.	S.60709	\$94.78
3.	FO4	\$32.32
3.	FO19	\$32.32
3.	FO20	\$32.32
3.	FO201	\$36.20
4.	S.75928	\$41.50
5.	S.42931	\$33.25
6.	S.60518	\$19.92
7.	S.60587	\$29.67
8.	S.60175	\$135.00
9.	S.60495	\$11.42
9.	S.60494	\$7.00
9.	S.60489	\$14.17
9.	S.60492	\$17.00
9.	S.60491	\$12.58
10.	S.60497	\$2.33
11.	S.60496	\$2.08
12.	S.60498	\$2.25
12.	S.60499	\$2.25

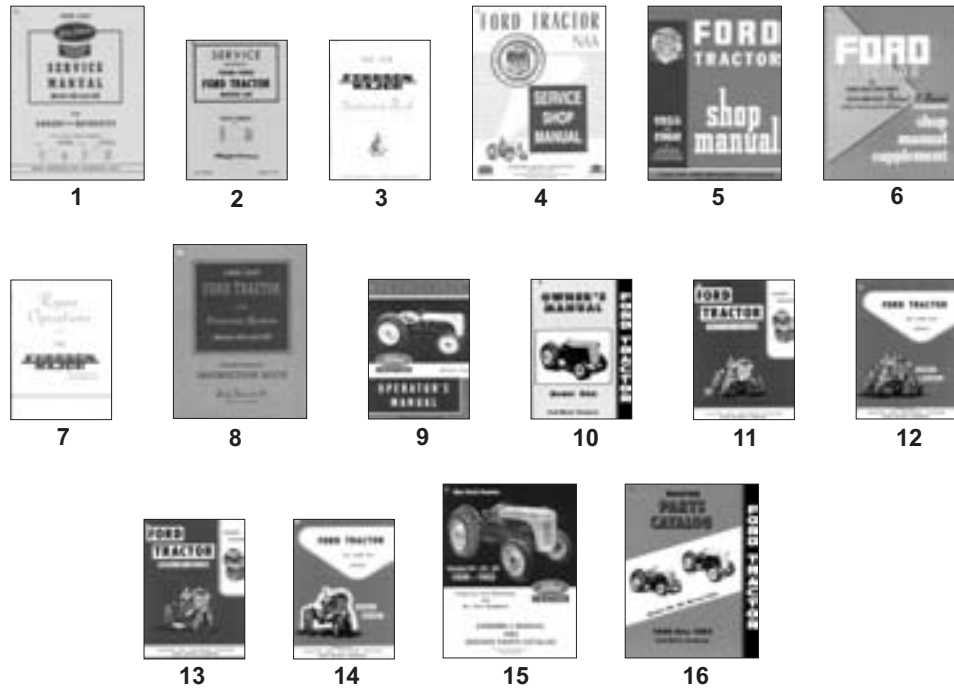
WE ARE NOT RESPONSIBLE FOR MIS-PRINTS OR PRICE CHANGES

# F12

Spare Parts for FORD  
Tractors Built 1939 to 1964

## Shop, Owner and Parts Manuals

All Books are Officially  
Licensed Reprints  
of the Original Manuals



SPAREX No.	DESCRIPTION	YEARS	TRACTOR MODEL
1	FO1 Shop Manual	1939 - 1947	9N, 2N
2	S.61436 Shop Manual	1948 - 1952	8N
3	S.61438 Shop Manual (Instruction Book)	1953 - 1961	Fordson Major
4	S.61444 Shop Manual	1953 - 1954	NAA
5	S.61446 Shop Manual	1955 - 1964	600, 700, 800, 900, 601, 701, 801, 901, 1801, 2000, 4000
6	S.61447 Shop Manual	1962 - 1964	Select-O-Speed Transmissions (Direct Drive Models)
7	S.61442 Owners Manual (Operations Book)	1953 - 1961	Fordson Major
8	S.61435 Owners Manual	1939 - 1947	9N, 2N
9	S.61439 Owners Manual	1948 - 1952	8N
10	S.61443 Owners Manual	1953 - 1954	NAA, Jubilee
11	S.61448 Owners Manual	1955 - 1957	600, 800
12	S.61449 Owners Manual	1958 - 1962	601, 801
13	S.61450 Owners Manual	1955 - 1957	700, 900
14	S.61451 Owners Manual	1958 - 1962	701, 901
15	S.61434 Master Parts Catalog	1939 - 1952	9N, 2N, 8N
16	S.61437 Master Parts Catalog	1939 - 1954	9N, 2N, 8N, NAA, Jubilee

Please see Index for alternative O.E. part numbers.

These parts are Sparex parts and are not manufactured by the Original Equipment Manufacturer. Original Equipment Manufacturer names, part numbers and descriptions are quoted for reference purposes only.

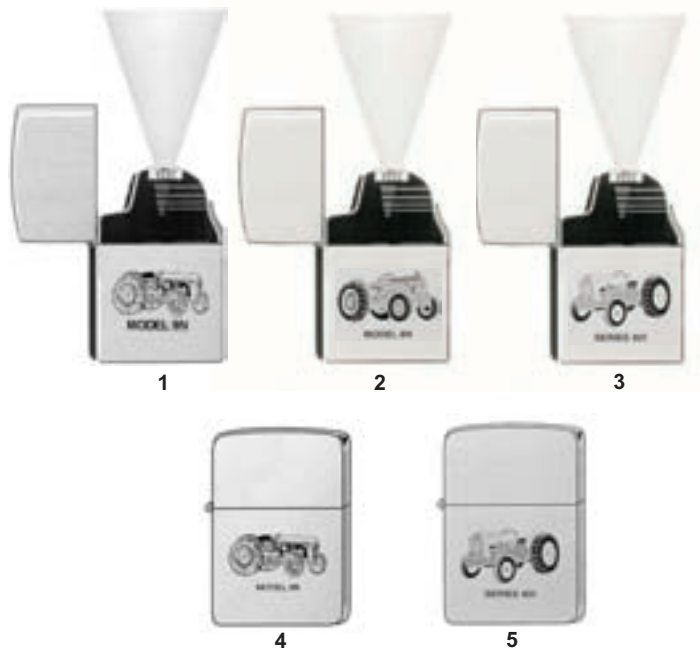
7 - A

SHOP OWNER AND PARTS MANUALS

	<u>Sparex No.</u>	<u>Price</u>
1.	FO1	\$17.08
2.	S.61436	\$12.78
3.	S.61438	\$14.33
4.	S.61444	\$17.45
5.	S.61446	\$28.75
6.	S.61447	\$14.88
7.	S.61442	\$14.90
8.	S.61435	\$11.42
9.	S.61439	\$14.33
10.	S.61443	\$14.33
11.	S.61448	\$14.33
12.	S.61449	\$14.33
13.	S.61450	\$14.33
14.	S.61451	\$14.33
15.	S.61434	\$19.97
16.	S.61437	\$19.97

WE ARE NOT RESPONSIBLE FOR MIS-PRINTS OR PRICE CHANGES

## Zippo Lighters and Zip Lights



SPAREX No.	DESCRIPTION	EQUIVALENT	TRACTOR MODEL
	<b>Zip Lights</b>		
1	S.61837 "9N" Ziplight		
2	S.61714 "8N" Ziplight		
3	S.61700 "801" Ziplight		
	<b>Lighters</b>		
4	S.61838 "9N" Zippo Lighter		
5	S.61701 "801" Zippo Lighter		

Please see Index for alternative O.E. part numbers.

These parts are Sparex parts and are not manufactured by the Original Equipment Manufacturer. Original Equipment Manufacturer names, part numbers and descriptions are quoted for reference purposes only.

8 - A

ZIPPO LIGHTERS AND ZIP LIGHTS

	<u>Sparex No.</u>	<u>Price</u>
1.	S.61837	Call for Price
2.	S.61714	Call for Price
3.	S.61700	Call for Price
4.	S.61838	\$24.17
5.	S.61701	\$24.17

WE ARE NOT RESPONSIBLE FOR MIS-PRINTS OR PRICE CHANGES