

**Front Axle,
Steering
and Related
Components**

Page No.

1-2	Front Hubs, Rims and Related Components
3	Wheel Spindles and Related Components
4	Spindle Bushings and Related Components
5	Front Axle (4 Wheel Drive, Super 4, 6) and Related Components
6	Drag Links and Related Components
7	Steering Box (Double Arm) and Related Components
8	Steering Box (Single Arm, Fordson Major) and Related Components
9	Power Steering Pump and Cylinders
10	Add-on Power Steering Conversion Kit

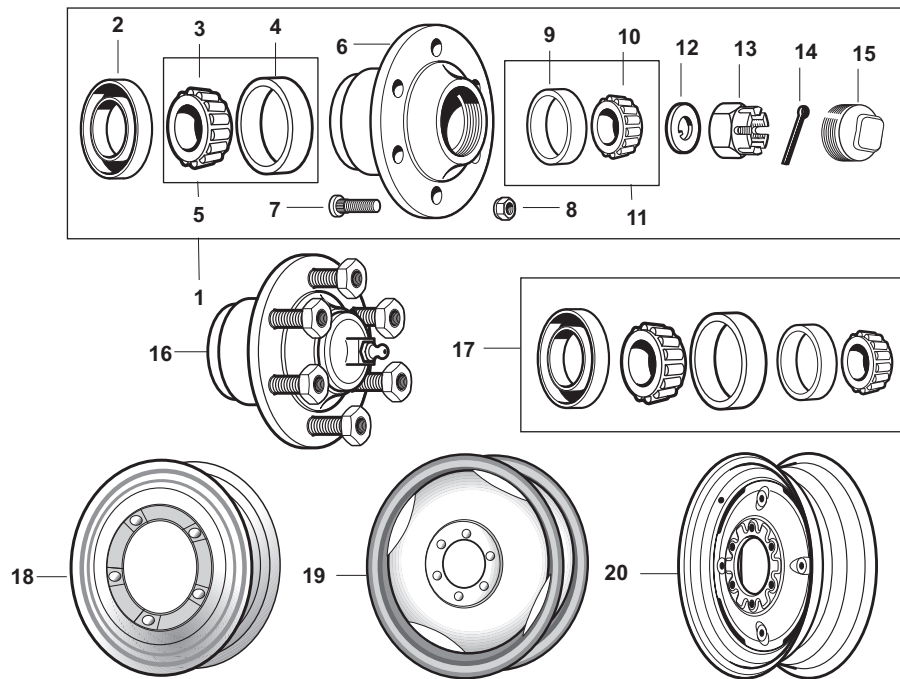
Please see Index for alternative O.E. part numbers.

These parts are Sparex parts and are not manufactured by the Original Equipment Manufacturer.
Original Equipment Manufacturers names, part numbers and descriptions are quoted for reference purposes only.

F2

Spare Parts for FORD
Tractors Built 1939 to 1964

Front Hubs, Rims and Related Components



SPAREX No.	DESCRIPTION	EQUIVALENT	TRACTOR MODEL
1	S.66898 Front Hub Kit (Includes 2-11)		8N, NAA, Jubilee
2	S.60773 Seal	NCA1190A	(9N, 2N, 8N, NAA, Jubilee, 600, 700, 800, 900, 601, 701, 801, 901, 2000, 4000 w/ Standard Duty Front End)
2	S.04791 Seal	957E1190A	Dexta, Super Dexta
2	S.04233 Seal	310195	651, 661, 851, 861, (1801 1958->), 2000, 4000 (Heavy Duty Front End)
2	S.65774 Seal	E27N1190B 1193	Fordson Major, Power Major, Super Major
3	S.20539 Cone & Roller	B1201	9N, 8N, 2N, NAA, Jubilee
4	S.20540 Cup	B1202	9N, 8N, 2N, NAA, Jubilee
5	S.02967 Inner Bearing & Cup (Brg #15123/15245)	8A1201B 8A1202A	(600, 700, 800, 900 ->SN 137817)
5	S.02975 Inner Bearing & Cup (Brg #LM67010/LM67048)	D5NN1201A D5NN1202A	(600, 700, 800, 900 SN 137818->), 601, 701, 801, 901, 2000, 4000 Dexta, Super Dexta
5	S.65775 Inner Bearing & Cup (Brg #352/355x)	E27N1201 E27N1202A	Fordson Major, Fordson Power Major, Super Major
6	S.60466 Front Hub (BARE)	D5NN1104A	8N, NAA, Jubilee
7	S.04948 Wheel Stud	C5NN1107F	8N, NAA, Jubilee, 600, 700, 800, 900, 601, 701, 801, 901, 2000, 4000
8	S.05938 Wheel Nut	C5NN1012B	8N, NAA, Jubilee, 600, 700, 800, 900, 601, 701, 801, 901, 2000, 4000
9	S.20542 Cup	B1217	9N, 8N, 2N, NAA, Jubilee
10	S.20541 Cone & Roller	B1216	9N, 8N, 2N, NAA, Jubilee
11	S.02968 Outer Bearing & Cup (Brg #09067/09195)	8A1216A 8A1217A	(600, 700, 800, 900 ->SN 137817)
11	S.02972 Outer Bearing & Cup (Brg #LM11910/LM11949)	D5NN1216A D5NN1217A	(600, 700, 800, 900 SN 137818->), 601, 701, 801, 901, 2000, 4000 Dexta, Super Dexta
11	S.65776 Outer Bearing & Cup (Brg #14118/14283)	N1216 N1217	Fordson Major, Power Major, Super Major
12	S.65090 Tab Washer	C5NN1N195A	9N, 2N, 8N, NAA, Jubilee, 600, 700, 800, 900, 601, 701, 801, 901, 2000, 4000
12	S.11222 Tab Washer	957E1195	Dexta, Super Dexta

Please see Index for alternative O.E. part numbers.

These parts are Sparex parts and are not manufactured by the Original Equipment Manufacturer. Original Equipment Manufacturer names, part numbers and descriptions are quoted for reference purposes only.



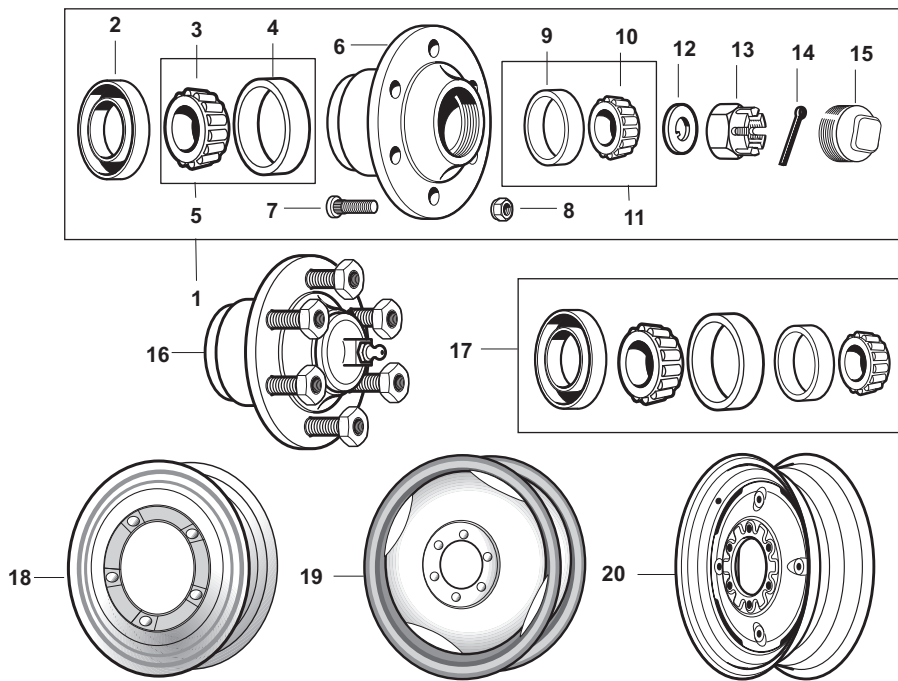
1 - A

FRONT HUBS, RIMS AND RELATED COMPONENTS

	<u>Sparex No.</u>	<u>Price</u>
1.	S.66898	\$82.92
2.	S.60773	\$2.48
2.	S.04791	\$3.92
2.	S.04233	\$4.92
2.	S.65774	\$2.08
3.	S.20539	\$11.58
4.	S.20540	\$9.08
5.	S.02967	\$8.65
5.	S.02975	\$6.25
5.	S.65775	\$34.92
6.	S.60466	\$39.17
7.	S.04948	\$1.03
8.	S.05938	\$0.82
9.	S.20542	\$6.08
10.	S.20541	\$10.70
11.	S.02968	\$14.22
11.	S.02972	\$6.08
11.	S.65776	\$39.00
12.	S.65090	\$0.88
12.	S.11222	\$0.58

WE ARE NOT RESPONSIBLE FOR MIS-PRINTS OR PRICE CHANGES

Front Hubs, Rims and Related Components



SPAREX No.	DESCRIPTION	EQUIVALENT	TRACTOR MODEL
13	S.40213 Castle Nut (3/4" x 16 UNF)	387930S36	9N, 2N, 8N, NAA, Jubilee, 600, 700, 800, 900, 601, 701, 801, 901, 2000, 4000, Dexta, Super Dexta
14	S.01501 Cotter Key (5/32" x 1 1/4")		
15	S.65132 Hub Cap - Pressed Steel	2N1139B	9N, 2N, 8N, NAA, Jubilee, 600, 700, 800, 900, 601, 701, 801, 901, 2000, 4000, Dexta, Super Dexta
16	S.65123 Front Hub (Includes Studs, Nuts & Cap)	C9NN1104F	(600, 700, 800, 900 SN 137818->), 601, 701, 801, 901, 2000, 4000 Dexta, Super Dexta (Standard Duty Front End)
16	S.65124 Front Hub (Includes Studs, Nuts & Cap)	C9NN1104E	(601, 801, 2000, 4000 w/ HD Front End)
17	S.20543 Wheel Bearing Kit	CBPN1200A	9N, 2N, 8N, NAA, Jubilee
17	S.66878 Wheel Bearing Kit	CBPN1200B	(600, 700, 800, 900 ->SN 137817)
17	S.66879 Wheel Bearing Kit	CBPN1200C	(601, 701, 801, 901, 2000, 4000 SN 137817-> w/ Standard Front End)
17	S.04792 Wheel Bearing Kit		Dexta, Super Dexta
17	S.65778 Wheel Bearing Kit		Fordson, Major, Power Major, Super Major
18	S.60503 Rim (3.00 x 19)	9N1015A	9N, 2N
19	S.60504 Rim (3.00 x 19)	C5NN1015A	8N
20	S.40286 Front Rim (4.50 x 16)	E6NN1007LA	8N, NAA, Jubilee, 600, 700, 800, 900, 601, 701, 801, 901, 2000, 4000
20	S.40287 Front Rim (5.50 x 16)	E6NN1007BA	Fordson Major, Power Major, Super Major, 600, 800, 601, 801, 2000, 4000

Please see Index for alternative O.E. part numbers.

These parts are Sparex parts and are not manufactured by the Original Equipment Manufacturer. Original Equipment Manufacturer names, part numbers and descriptions are quoted for reference purposes only.

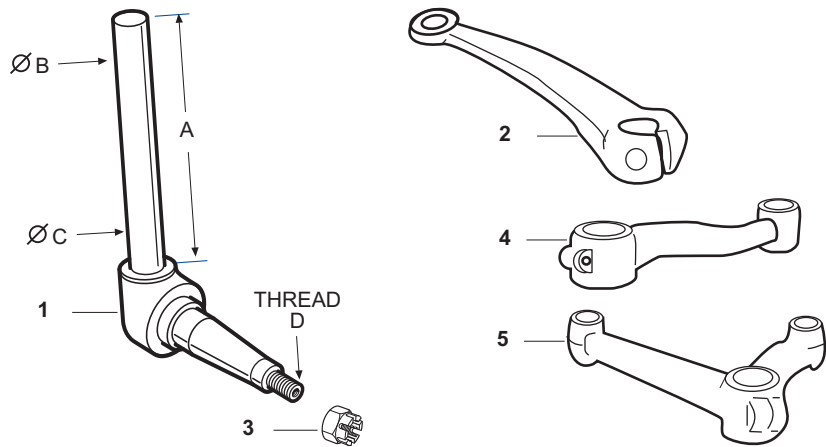
2 - A

FRONT HUBS, RIMS AND RELATED COMPONENTS CONT.

	<u>Sparex No.</u>	<u>Price</u>
13.	S.40213	\$0.95
14.	S.01501	\$0.05
15.	S.65132	\$3.75
16.	S.65123	\$56.58
16.	S.65124	\$56.58
17.	S.20543	\$38.87
17.	S.66878	\$24.65
17.	S.66879	\$14.15
17.	S.04792	\$19.98
17.	S.65778	\$57.50
18.	S.60503	\$103.00
19.	S.60504	\$95.00
20.	S.40286	\$48.25
20.	S.40287	\$58.33

WE ARE NOT RESPONSIBLE FOR MIS-PRINTS OR PRICE CHANGES

Wheel Spindles and Related Parts



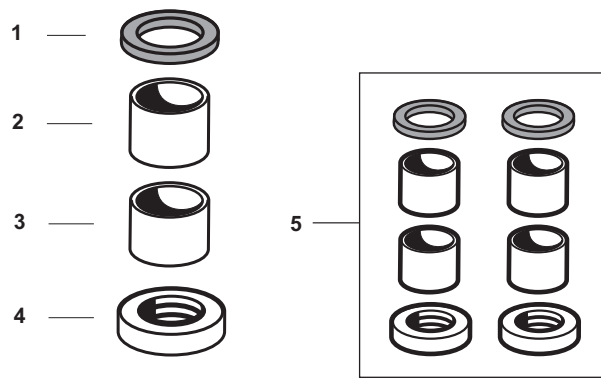
SPAREX No.	DESCRIPTION	EQUIVALENT	TRACTOR MODEL
1	S.61380 Spindle - LH/RH (No Keyway - Tapered pin)	9N3105	(9N Early with Tapered Locking Pin)
1	S.16002 Spindle - LH (A=11.03", B=1.25", C=1.25", D=.75")	86508994 2N3106	9N, 2N
1	S.16003 Spindle - RH (A=11.03", B=1.25", C=1.25", D=.75")	86508993 2N3105	9N, 2N
1	S.16006 Spindle - LH (A=10.69", B=1.25", C=1.25", D=.75")	F3NN3106AA 8N3106B	8N, NAA, Jubilee
1	S.16007 Spindle - RH (A=10.69", B=1.25", C=1.25", D=.75")	F3NN3105AA 8N3105B	8N, NAA, Jubilee
1	S.16004 Spindle - LH (A=10.75", B=1.25", C=1.5", D=.75")	F2NN3106BA NCA3106B	600, 800, 601, 801, 2000, 4000, Dexta, Super Dexta (Standard Duty Front End)
1	S.16005 Spindle - RH (A=10.75", B=1.25", C=1.5", D=.75")	F2NN3105BA NCA3105B	600, 800, 601, 801, 2000, 4000, Dexta, Super Dexta (Standard Duty Front End)
1	S.65750 Spindle - LH (A=7.5", B=1.5", C=1.5", D=.87")	E1ADKN3108	Fordson Major, Power Major, Super Major
1	S.65749 Spindle - RH (A=7.5", B=1.5", C=1.5", D=.87")	E1ADKN3107	Fordson Major, Power Major, Super Major
1	S.65753 Spindle - LH (Hardened) (A=7.75", B=1.23", C=1.34", D=.75")	F2NN3106CA C1NN3106A	(2110, 4110 LCG 1961-1964)
1	S.65754 Spindle - RH (Hardened) (A=7.75", B=1.23", C=1.34", D=.75")	F2NN3105CA C1NN3105A	(2110, 4110 LCG 1961-1964)
2	S.61832 Spindle Arm	310799	(8N SN 451958->), NAA, Jubilee, 600, 800, 601, 801, 2000, 4000, Dexta, Super Dexta
3	S.40213 Castle Nut (3/4" x 16 UNF)	387930S36	9N, 2N, 8N, NAA, Jubilee, 600, 700, 800, 900, 601, 701, 801, 901, 2000, 4000, Dexta, Super Dexta
4	S.61474 Steering Arm - RH	E1ADKN3132	Fordson Major, Power Major, Super Major
5	S.61473 Steering Arm - LH	E1ADKN3133B	Fordson Major, Power Major, Super Major

3 - A

WHEEL SPINDLES AND RELATED PARTS

	<u>Sparex No.</u>	<u>Price</u>
1.	S.61380	\$141.83
1.	S.16002	\$71.67
1.	S.16003	\$71.67
1.	S.16006	\$72.42
1.	S.16007	\$72.42
1.	S.16004	\$75.83
1.	S.16005	\$75.83
1.	S.65750	\$146.67
1.	S.65749	\$146.67
1.	S.65753	\$148.33
1.	S.65754	\$150.83
2.	S.61832	\$41.33
3.	S.40213	\$0.95
4.	S.61474	\$53.00
5.	S.61473	\$81.67

WE ARE NOT RESPONSIBLE FOR MIS-PRINTS OR PRICE CHANGES



SPAREX No.	DESCRIPTION	EQUIVALENT	TRACTOR MODEL
1	S.65140 Upper Spindle Seal	C5NN3125A	8N, NAA, Jubilee, 600, 800, 601, 801, 2000, 4000
1	S.65139 Upper Spindle Seal	957E3121A	Dexta, Super Dexta
1	S.65738 Upper Spindle Seal	E1ADDN3121	Fordson Major, Power Major, Super Major
2	S.65116 Spindle Bushing - Top	2N3109	(9N, 2N, 8N, NAA, Jubilee, 600, 800, 601, 801, 2000, 4000, Dexta, Super Dexta Standard Front End Only)
2	S.65739 Spindle Bushing - Top	C5NN3N654B	Fordson Major, Power Major, Super Major
3	S.65116 Spindle Bushing - Bottom	2N3109	9N, 2N, 8N, NAA, Jubilee
3	S.65117 Spindle Bushing - Bottom	NCA3110A	(600, 800, 601, 801, 2000, 4000, Dexta, Super Dexta Standard Front End Only)
3	S.65739 Spindle Bushing - Bottom	C5NN3N654B	Fordson Major, Power Major, Super Major
4	S.65120 Thrust Bearing	C0NN3123B	(9N, 2N, 8N, NAA, Jubilee, 600, 800, 601, 801, 2000, 4000, Dexta, Super Dexta Standard Duty Front End)
4	S.65121 Thrust Bearing	C5NN3A299A	(601, 801, 2000, 4000 Heavy Duty Front End)
4	S.65122 Thrust Bearing	C0NN3A299A	(2000, 4000 Ind. 1961->)
4	S.65740 Thrust Bearing	E27N3123B	Fordson Major, Power Major, Super Major
5	S.65986 Spindle Repair Kit (Will fix both spindles)		9N, 2N, 8N, NAA, Jubilee
5	S.65107 Spindle Repair Kit (Will fix both spindles)		(600, 800, 601, 801, 2000, 4000 Standard Front End)
5	S.65106 Spindle Repair Kit (Will fix both spindles)		Dexta, Super Dexta
5	S.65737 Spindle Repair Kit (Will fix both spindles)		Fordson Major, Power Major, Super Major

Please see Index for alternative O.E. part numbers.

These parts are Sparex parts and are not manufactured by the Original Equipment Manufacturer. Original Equipment Manufacturer names, part numbers and descriptions are quoted for reference purposes only.

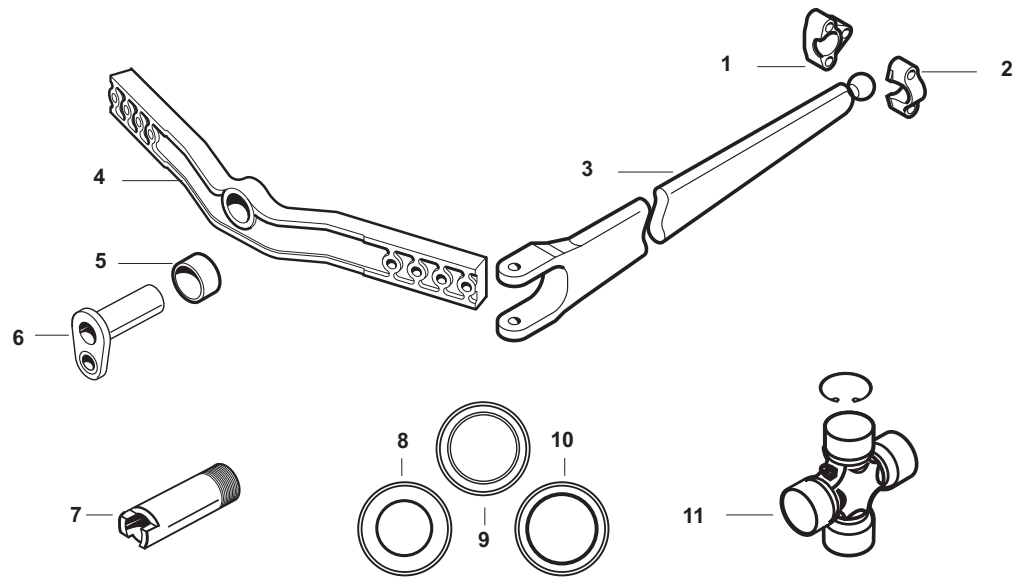
4 - A

SPINDLE BUSHINGS AND REPAIR PARTS

	<u>Sparex No.</u>	<u>Price</u>
1.	S.65140	\$1.45
1.	S.65139	\$1.45
1.	S.65738	\$1.08
2.	S.65116	\$3.75
2.	S.65739	\$4.33
3.	S.65116	\$3.75
3.	S.65117	\$3.92
3.	S.65739	\$4.33
4.	S.65120	\$6.83
4.	S.65121	\$7.98
4.	S.65122	\$8.42
4.	S.65740	\$14.58
5.	S.65986	\$22.50
5.	S.65107	\$37.67
5.	S.65106	\$37.67
5.	S.65737	\$54.17

WE ARE NOT RESPONSIBLE FOR MIS-PRINTS OR PRICE CHANGES

Front Axle and Related Parts (4 Wheel Drive, Super 4,6)



SPAREX No.	DESCRIPTION	EQUIVALENT	TRACTOR MODEL	
1	S.60458	Radius Rod Socket	E0NN3N442BA	9N, 2N, 8N, NAA, Jubilee, 600, 800, 601, 801, 2000, 4000, Dexta, Super Dexta
2	S.60459	Radius Rod Cap	E0NN3N406BA	8N, NAA, Jubilee, 600, 800, 601, 801, 2000, 4000, Dexta, Super Dexta
3	S.60484	Radius Rod (Manual or Power Steering)	310034/ 310035	NAA, Jubilee, 600, 800, 601, 801, 2000, 4000
4	S.66863	Center Axle	D9NN3010EA NAA3010B2	9N, 2N, 8N, NAA, Jubilee, 600, 800, 601, 801, 2000, 4000, Dexta, Super Dexta (Standard Front End)
5	S.42621	Center Axle Bushing	2N3039	9N, 2N, 8N, NAA, Jubilee, 600, 800, (601, 801, 2000, 4000 Standard Front End)
6	S.61141	Axle Pin	NAA3126B	9N, 2N, 8N, NAA, Jubilee
7	S.61138	Axle Pin - Threaded	NCA3127A	(600, 800, 601, 801, 2000, 4000 Standard Front End)
8	S.65693	Front Axle Seal - 4 WD	CFT19202	Super 4, Super 5
9	S.65692	Front Axle Seal - 4 WD	CFT19223	Super 4, Super 6
10	S.65694	Front Axle Seal - 4 WD	CFT19205	Super 4, Super 6
11	S.65170	Universal Kit (4.52" x 1.55")	CFT23704	Super 4, Super 6

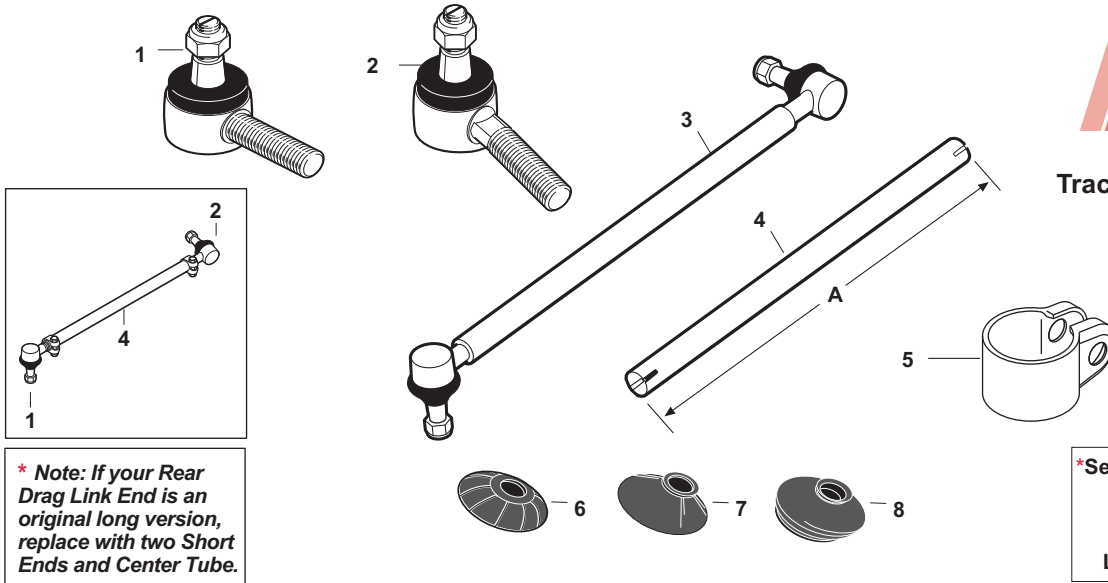
5 - A

FRONT AXLE AND RELATED PARTS
(4 WHEEL DRIVE, SUPER 4,6)

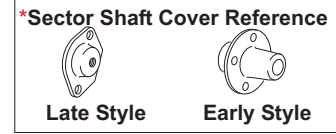
	<u>Sparex No.</u>	<u>Price</u>
1.	S.60458	\$9.00
2.	S.60459	\$6.92
3.	S.60484	\$133.17
4.	S.66863	\$176.50
5.	S.42621	\$7.25
6.	S.61141	\$21.50
7.	S.61138	\$16.00
8.	S.65693	Call for Price
9.	S.65692	Call for Price
10	S.65694	Call for Price
11.	S.65170	Call for Price

WE ARE NOT RESPONSIBLE FOR MIS-PRINTS OR PRICE CHANGES

Drag Links



*** Note: If your Rear Drag Link End is an original long version, replace with two Short Ends and Center Tube.**



SPAREX No.	DESCRIPTION	EQUIVALENT	TRACTOR MODEL
1	S.40163 Front Drag Link End (11/16" UNF - RH Threads)	9N3270B	(9N, 2N If used with original 1 piece Drag Link)
1	S.65044 Front Drag Link End (11/16" UNF - LH Threads)	957E3290B	(9N, 2N, 8N, Used with New Style 3 piece Drag Link), NAA, Jubilee, 600, 800, 601, 801, 2000, 4000, Dexta, Super Dexta (Manual Steering)
1	S.61137 Front Drag Link End (3/4" UNF - LH Threads)	309523	(600, 800, 601, 801 ->SN 78837 w/ Power Steering)
1	S.61139 Front Drag Link End (13/16" UNF - LH Threads)	309591	(601, 801, 2000, 4000 SN 78837-> w/ Power Steering)
1	S.66003 Front Drag Link End (1" UNF - LH Threads)	E3NN3308BA	(4000 H.D. Industrial 1/1963-1964)
2*	S.61119 Rear Drag Link End (11/16" UNF - RH Threads)	NAA33271A	(9N, 2N, 8N, Used with New Style 3 piece Drag Link), NAA, Jubilee, 600, 800, 601, 801, 2000, 4000 (Manual Steering)
2	S.65050 Rear Drag Link End (11/16" UNF - RH Threads)	957E3307B	Dexta, Super Dexta
3	S.65041 Drag Link Assembly	E1ADDN3304C	Fordson Major, Power Major, Super Major
4**	S.61413 Drag Link Tube (A = 34.5" Long) 1 end RH Thread, 1 end LH Thread	8N33315	9N, 2N, (RH for Early 8N), (LH for Late 8N), Dexta, Super Dexta
4**	S.61414 Drag Link Tube (A = 32.8" Long) 1 end RH Thread, 1 end LH Thread	8N3314D	(LH for Early 8N), (RH for Late 8N)
4	S.61411 Drag Link Tube - RH (A = 36.125" Long) 1 end RH Thread, 1 end LH Thread	NAA3314B	NAA, Jubilee, 600, 800, 601, 801, 2000, 4000
4	S.61412 Drag Link Tube - LH (A = 38.5" Long) 1 end RH Thread, 1 end LH Thread	NAA33315A	NAA, Jubilee, 600, 800, 601, 801, 2000, 4000
5	S.63372 Drag Link Tube Clamp (7/8")	8N3287	9N, 2N, 8N, NAA, Jubilee, 600, 800, 601, 801, 2000, 4000
5	S.63373 Drag Link Tube Clamp (1 1/16")		
5	S.63374 Drag Link Tube Clamp (1 3/16")		
6	S.40191 Universal Tie Rod Boots (1 13/16" x 5/8" x 5/8")		
7	S.40192 Universal Tie Rod Boots (1 15/16" x 3/4" x 3/4")		
8	S.40193 Universal Tie Rod Boots (1 3/8" x 1" x 1/2")		

Please see Index for alternative O.E. part numbers.

These parts are Sparex parts and are not manufactured by the Original Equipment Manufacturer. Original Equipment Manufacturer names, part numbers and descriptions are quoted for reference purposes only.

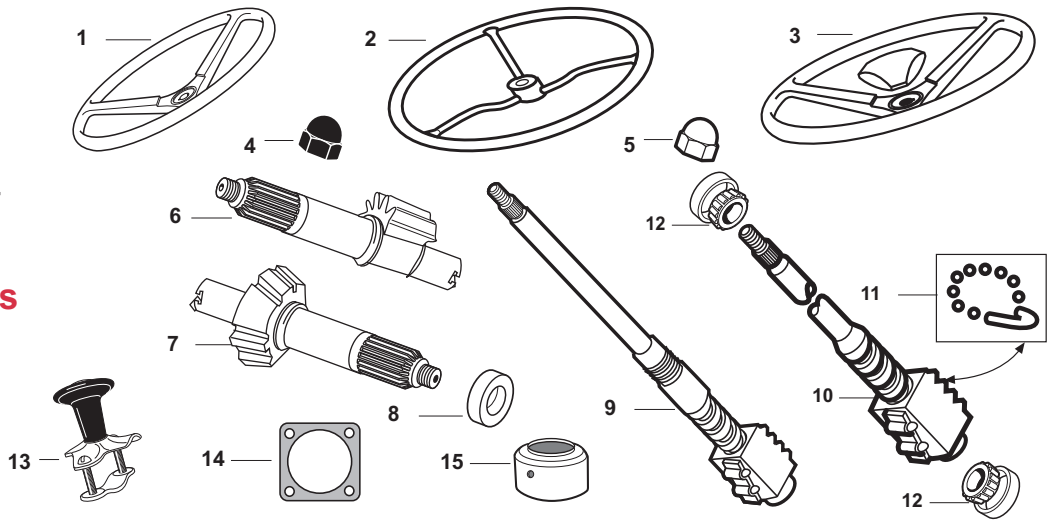
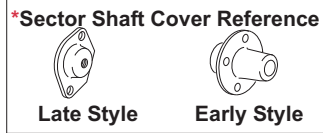
6 - A

DRAG LINKS

	<u>Sparex No.</u>	<u>Price</u>
1.	S.40163	\$9.83
1.	S.65044	\$16.08
1.	S.61137	\$22.17
1.	S.61139	\$29.72
1.	S.66003	\$13.25
2.	S.61119	\$11.47
2.	S.65050	\$20.10
3.	S.65041	\$119.17
4.	S.61413	\$31.58
4.	S.61414	\$33.25
4.	S.61411	\$31.58
4.	S.61412	\$31.58
5.	S.63372	\$1.67
5.	S.63373	\$2.25
5.	S.63374	\$2.08
6.	S.40191	\$2.58
7.	S.40192	\$3.75
8.	S.40193	\$2.60

WE ARE NOT RESPONSIBLE FOR MIS-PRINTS OR PRICE CHANGES

Steering Box and Related Components (Double Arm)



****If Sectors do NOT have 5 & 7 teeth, must be replaced as pair**

SPAREX No.	DESCRIPTION	EQUIVALENT	TRACTOR MODEL
1	S.41486 Steering Wheel - Keyed (Economy) Plastic	E0NN3600AA	9N, 2N
1	S.60739 Steering Wheel - 36 Splines (Economy) Plastic	D6NN3600	8N, NAA, Jubilee, 600, 700, 800, 900, 601, 701, 801, 901, 2000, 4000
2	S.61373 Steering Wheel - Keyed (Steel Spokes)	E0NN3600AA	9N, 2N
2	S.61372 Steering Wheel - 36 Splines (Steel Spokes)	D6NN3600	8N, NAA, Jubilee, 600, 700, 800, 900, 601, 701, 801, 901, 2000, 4000
3	S.60636 Steering Wheel - 48 Splines (1 1/4")	957E3600	Dexta, Super Dexta
4	S.43044 Steering Wheel Nut - Black (5/8" UNF)	351103S8	9N, 2N
4	S.61962 Steering Wheel Nut - Black	359295S7	8N, NAA, Jubilee, 600, 700, 800, 900, 601, 701, 801, 901, 2000, 4000
5	S.40290 Steering Wheel Nut - Chrome (5/8" UNF)	351103S8	9N, 2N
5	S.61963 Steering Wheel Nut - Chrome	359295S7	8N, NAA, Jubilee, 600, 700, 800, 900, 601, 701, 801, 901, 2000, 4000
6*	S.61098 Sector Shaft (Single Gear) 5 Tooth**	251293	8N (Late Style), NAA, Jubilee, 600, 800, 601, 801, 2000, 4000
7*	S.61099 Sector Shaft (Double Gear) 7 Tooth**	251294	8N (Late Style), NAA, Jubilee, 600, 800, 601, 801, 2000, 4000
8*	S.65375 Felt Seal - Sector Shaft	8N3586	8N (Late Style), NAA, Jubilee, 600, 800, 601, 801, 2000, 4000
9	S.53163 Shaft & Nut Assy - Power Steering	310859	600, 800, 601, 801, 2000, 4000
10*	S.61417 Shaft and Nut Assembly (20 1/8")	8N3575A	(8N Early Style Gear Box - 4 Bolts in Side Plate - See Picture)
10*	S.61118 Shaft and Nut Assembly (20 1/8")	8N3575B	(8N Late Style Gear Box - 2 Bolts in Adjuster Plate - See Picture)
10	S.61111 Shaft and Nut Assembly (22 1/2")	NAA3575C	NAA, Jubilee
10	S.61116 Shaft and Nut Assembly (23 1/2")	NCA3575A	600, 800, 601, 801, 2000, 4000 (Not Rowcrop Models - Manual Steering)
11	S.61862 Ball and Bracket Kit		Steering Shaft (S.61118, S.61111, S.61116)
12*	S.65160 Bearing and Cup Assembly	C5NN3N615A C5NN3552A	8N (Late Style), NAA, Jubilee, 600, 800, 601, 801, 2000, 4000
13	S.60918 Black Ball Bearing Wheel Spinner		Most Standard Size Steering Wheels
13	S.60919 Red Ball Bearing Wheel Spinner		Most Standard Size Steering Wheels
13	S.60920 Blue Ball Bearing Wheel Spinner		Most Standard Size Steering Wheels
13	S.52092 Aluminum Ball Bearing Wheel Spinner		Most Standard Size Steering Wheels
13	S.52091 Red Wooden Wheel Spinner		Most Standard Size Steering Wheels
14	S.61623 Shim Kit (2 x .005", 2 x .010", 2 x .020")		8N (w/ 2 Bolt Adjuster Covers), NAA, Jubilee, 600, 601, 800, 801, 2000, 4000 (Manual Steering)
15	S.66814 Steering Column Cover w/ Hole for Grease Fitting - Chrome	9N3669	9N, 2N
15	S.66815 Steering Column Cover w/ Hole for Grease Fitting - Painted	9N3669	9N, 2N

Mix and Match any 12 wheelspinners and receive a FREE display Box.

Please see Index for alternative O.E. part numbers.

These parts are Sparex parts and are not manufactured by the Original Equipment Manufacturer. Original Equipment Manufacturer names, part numbers and descriptions are quoted for reference purposes only.

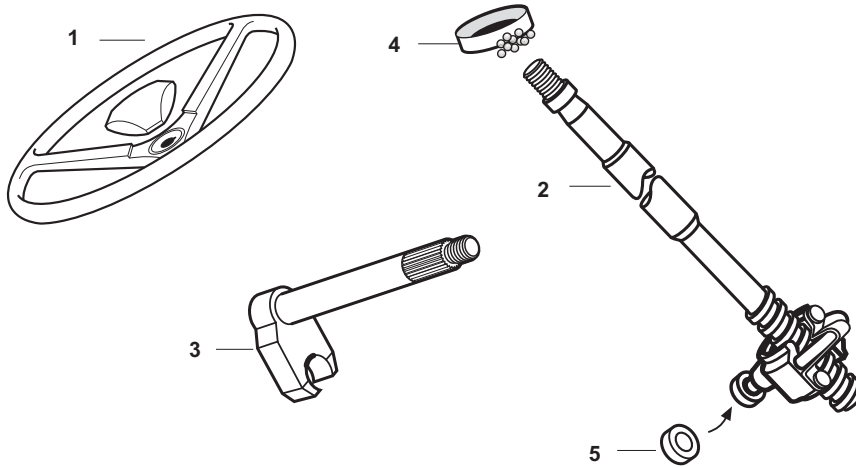
7 - A

STEERING BOX AND RELATED COMPONENTS
(DOUBLE ARM)

	<u>Sparex No.</u>	<u>Price</u>
1.	S.41486	\$31.63
1.	S.60739	\$31.63
2.	S.61373	\$31.63
2.	S.61372	\$30.48
3.	S.60636	\$38.25
4.	S.43044	\$2.50
4.	S.61962	\$4.42
5.	S.40290	\$3.25
5.	S.61963	\$4.67
6.	S.61098	\$166.50
7.	S.61099	\$173.17
8.	S.65375	\$0.75
9.	S.53163	\$275.00
10.	S.61417	\$206.67
10.	S.61118	\$258.33
10.	S.61111	\$258.33
10.	S.61116	\$115.00
11.	S.61862	\$11.25
12.	S.65160	\$26.58
13.	S.60918	\$7.50
13.	S.60919	\$7.50
13.	S.60920	\$7.50
13.	S.52092	\$7.08
13.	S.52091	\$2.65
14.	S.61623	\$12.80
15.	S.66814	\$14.17
15.	S.66815	\$11.65

WE ARE NOT RESPONSIBLE FOR MIS-PRINTS OR PRICE CHANGES

Steering Box and Related Components (Single Arm, Fordson Major)



SPAREX No.	DESCRIPTION	EQUIVALENT	TRACTOR MODEL
1	S.66265 Steering Wheel w/ Cap 6 Splines	E1ADKN3600A	Fordson Major, Power Major, Super Major
2	S.66720 Steering Shaft (24" Long)	E1ADKN3524B	Fordson Major, Power Major, (->8/58)
2	S.66022 Steering Shaft (25 7/8" Long)	E1ADDN3524	Fordson Power Major, Super Major (8/58->)
3	S.66017 Rocker Shaft	C9NN3575C	Fordson Major, Power Major, Super Major
4	S.65162 Bearing - Upper & Lower	E1ADKN3556 353075S	Fordson Major, Power Major, Super Major
5	S.65164 Main Nut Roller	DKN3572	Fordson Major, Power Major, Super Major

Please see Index for alternative O.E. part numbers.

These parts are Sparex parts and are not manufactured by the Original Equipment Manufacturer.
Original Equipment Manufacturer names, part numbers and descriptions are quoted for reference purposes only.

8 - A

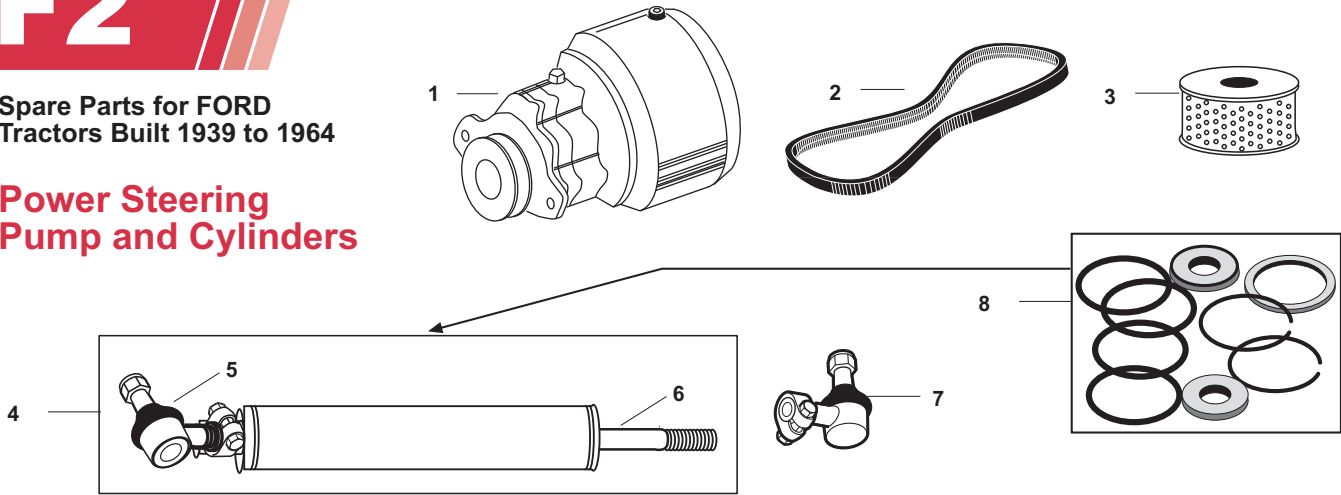
STEERING BOX AND RELATED COMPONENTS
(SINGLE ARM, FORDSON MAJOR)

	<u>Sparex No.</u>	<u>Price</u>
1.	S.66265	\$31.58
2.	S.66720	\$181.67
2.	S.66022	\$181.67
3.	S.66017	\$130.00
4.	S.65162	\$13.15
5.	S.65164	\$3.32

WE ARE NOT RESPONSIBLE FOR MIS-PRINTS OR PRICE CHANGES

Spare Parts for FORD Tractors Built 1939 to 1964

Power Steering Pump and Cylinders



Note: Do not mix rod sizes on tractor.

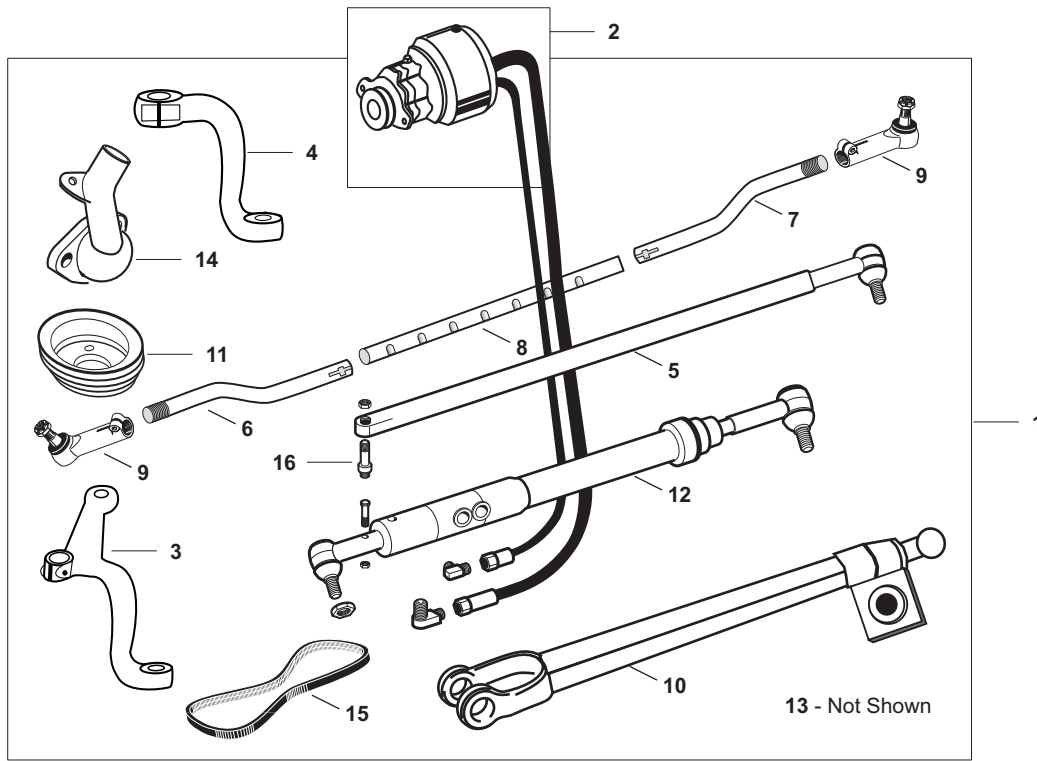
SPAREX No.	DESCRIPTION	EQUIVALENT	TRACTOR MODEL
1	S.61085 Power Steering Pump w/ Belt (Gas)	C3NN3A691B	601, 701, 801, 901, 2000, 4000
2	S.11175 Belt (1/2 x 46 1/2")		Fits S.60185
2	S.18722 Power Steering Belt	EAF8577A	601, 701, 801, 901, 2000, 4000, w/ original Ford Pump with reservoir on top of pump
3	S.60304 Power Steering Pump Filter	AE33538A	700, 900, 601, 701, 801, 901, 2000, 4000, Fordson Major, Power Major, Super Major - w/ original Ford Pump with reservoir on top of pump
4	S.60656 Power Steering Cylinder - R/L (1/2" Rod - 7/16" Thread)	E2NN3A540BA E2NN3D547AA	601, 801, 2000, 4000
4	S.60419 Power Steering Cylinder - R/L (5/8" Rod - 7/16" Thread)	E2NN3A540BA E2NN3D547AA	601, 801, 2000, 4000
4	S.60658 Power Steering Cylinder - R/L (5/8" Rod - 1/2" Thread)	C5NN3A739G	2000, 4000 Industrial Models
5	S.61345 Power Steering Cylinder End (Can End)		Fits S.60656 and S.60658
6	S.60642 Power Steering Cylinder Rod (1/2" Diameter Rod)		Fits S.60656
7	S.60659 Power Steering Cylinder End (Rod End)	CAPN3300A	2000, 4000 Industrial Models
8	S.60666 Cylinder Repair Kit		Repairs Cylinder S.60656
8	S.60668 Cylinder Repair Kit		Repairs Cylinders S.60658, S.60419

9 - A

POWER STEERING PUMP AND CYLINDERS

	<u>Sparex No.</u>	<u>Price</u>
1.	S.61085	\$670.00
2.	S.11175	\$7.08
2.	S.18722	\$6.30
3.	S.60304	\$7.33
4.	S.60656	\$233.00
4.	S.60419	\$255.00
4.	S.60658	\$276.67
5.	S.61345	\$16.65
6.	S.60642	\$63.33
7.	S.60659	\$60.00
8.	S.60666	\$38.75
8.	S.60668	\$44.58

WE ARE NOT RESPONSIBLE FOR MIS-PRINTS OR PRICE CHANGES



F2

Spare Parts for FORD Tractors Built 1939 to 1964

Add-on Power Steering Conversion Kit

Note: These kits are add-on units designed for tractors without loaders. The Cylinder and/or Tie Rod Assembly may interfere with loader frames.

SPAREX No.	DESCRIPTION	EQUIVALENT	TRACTOR MODEL
1	S.61100 Conversion Kit (Contains: 2-15) Made in USA		600, 800, 601, 801, 2000, 4000 (Except Rowcrop Gas Models only)
2	S.61085 Pump Kit - Gas		
3	S.60371 Spindle Arm - LH		
4	S.60373 Spindle Arm - RH		
5	S.60381 Drag Link		
6	S.60389 Tie Rod - LH		
7	S.60388 Tie Rod - RH		
8	S.60390 Tie Rod Center		
9	S.60391 Tie Rod End		
10	S.60483 Radius Rod		
11	S.60796 Double Pulley - Crankshaft		
12	S.61039 Power Steering Cylinder		
13	S.61382 Cylinder Adapter		
14	S.61115 Thermostat Housing		
15	S.11175 Belt		
16	S.61328 Stud - Control Valve		

Please see Index for alternative O.E. part numbers.

These parts are Sparex parts and are not manufactured by the Original Equipment Manufacturer. Original Equipment Manufacturer names, part numbers and descriptions are quoted for reference purposes only.

10 - A

ADD-ON POWER STEERING CONVERSION KIT

	<u>Sparex No.</u>	<u>Price</u>
1.	S.61100	\$1,526.67
2.	S.61085	\$670.00
3.	S.60371	\$150.00
4.	S.60373	\$60.00
5.	S.60381	\$121.67
6.	S.60389	Call for Price
7.	S.60388	\$75.00
8.	S.60390	\$41.67
9.	S.60391	\$33.33
10.	S.60483	\$132.67
11.	S.60796	\$60.00
12.	S.61039	\$583.33
13.	S.61382	\$33.33
14.	S.61115	\$39.17
15.	S.11175	\$7.08
16.	S.61328	\$15.00

WE ARE NOT RESPONSIBLE FOR MIS-PRINTS OR PRICE CHANGES